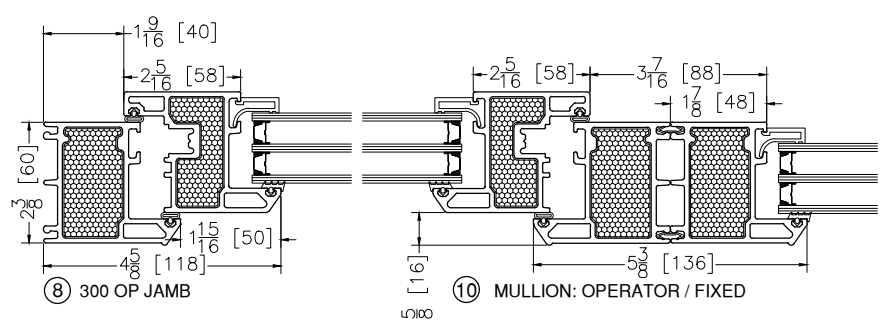
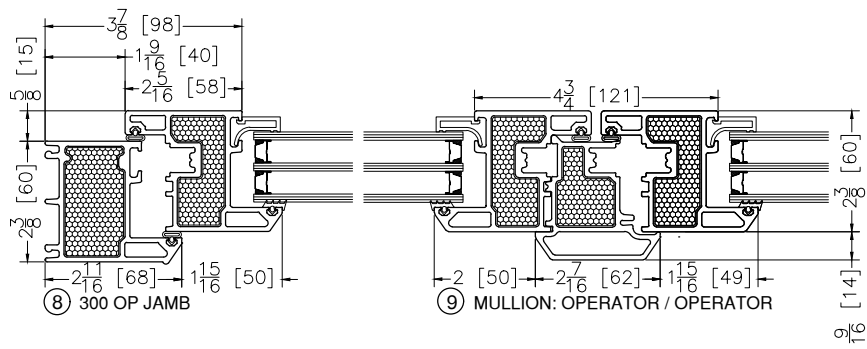
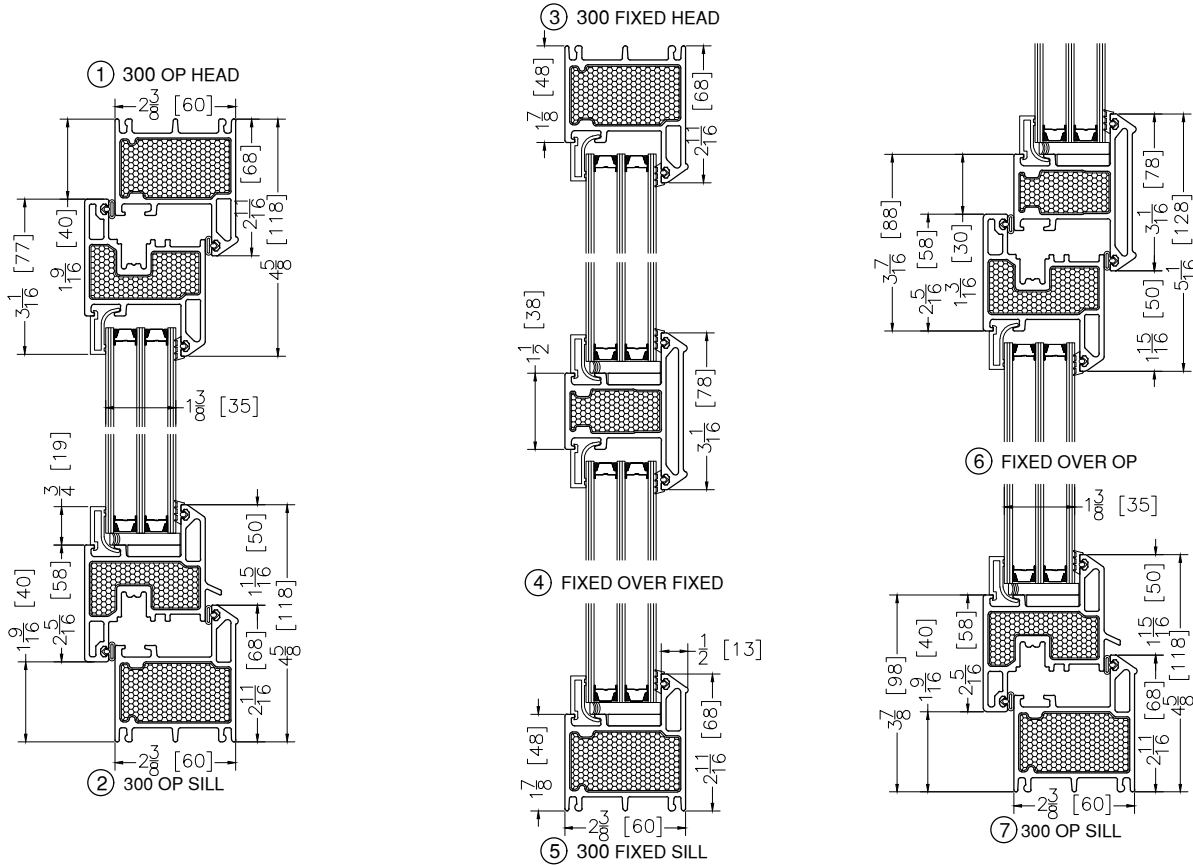
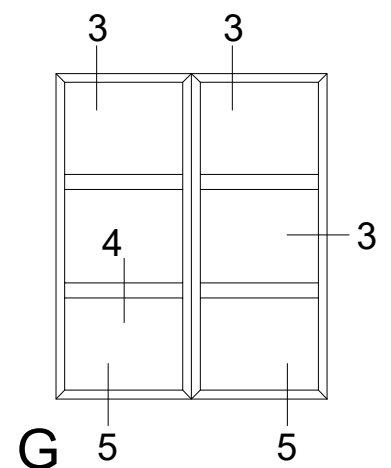
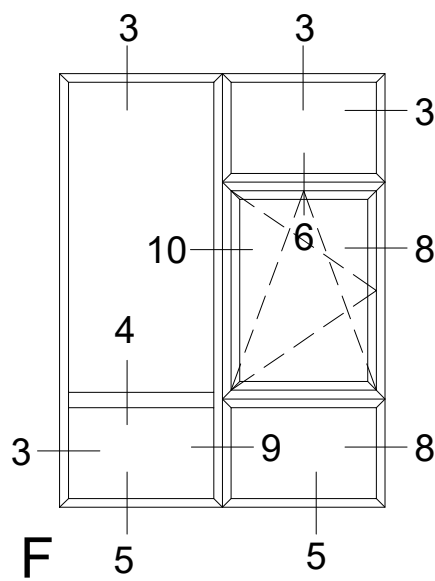
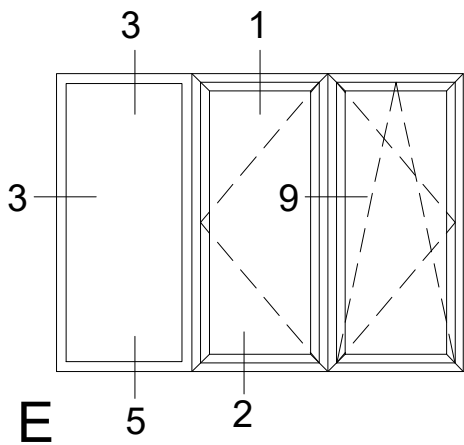
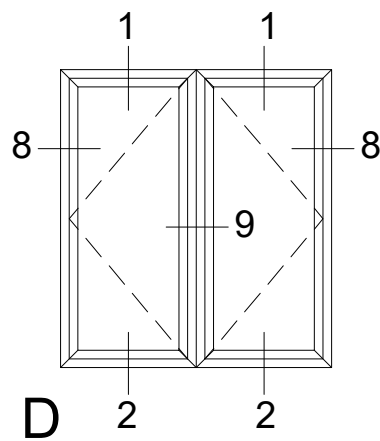
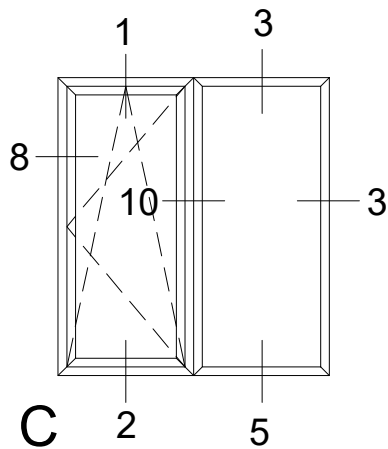
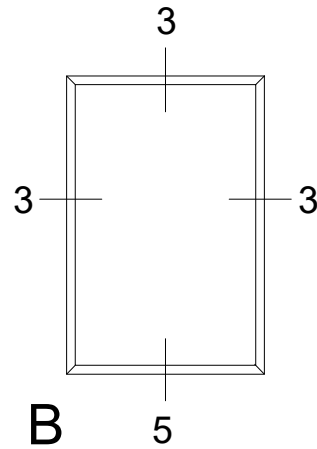
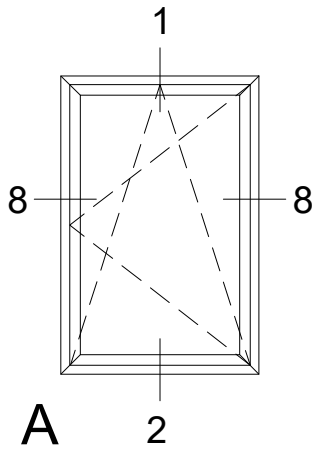


Triple Pane Section Drawings

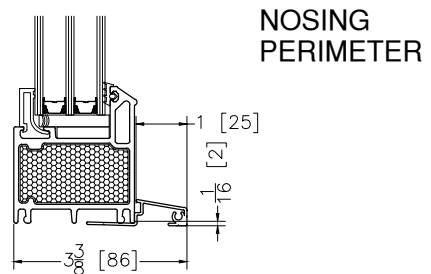
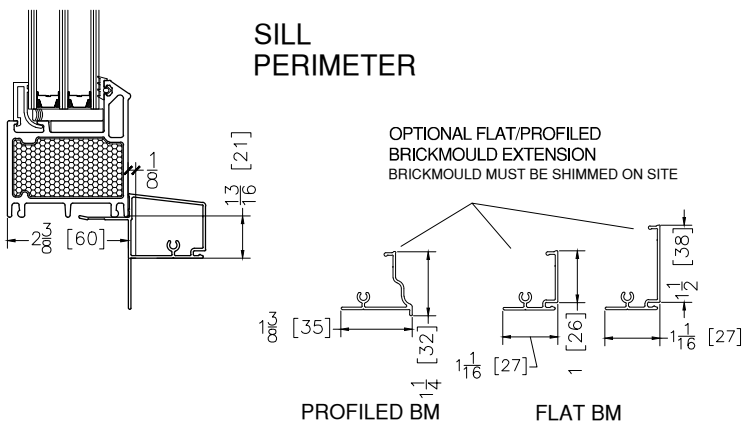
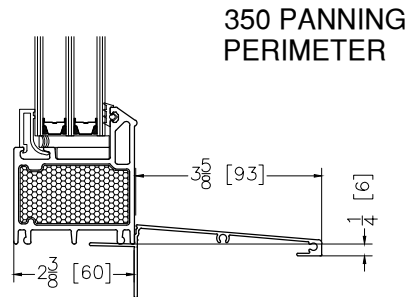
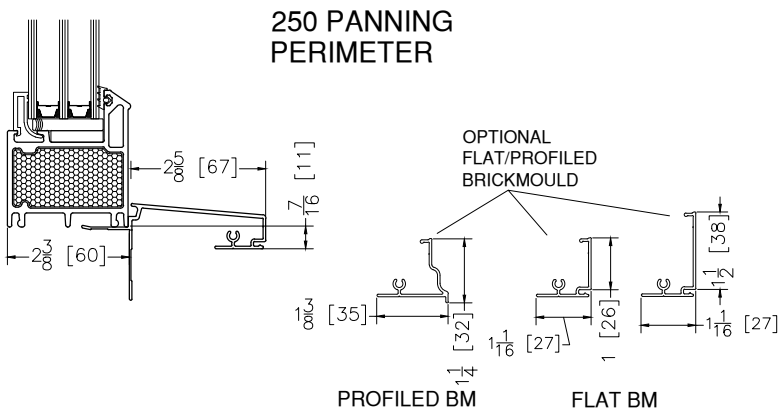
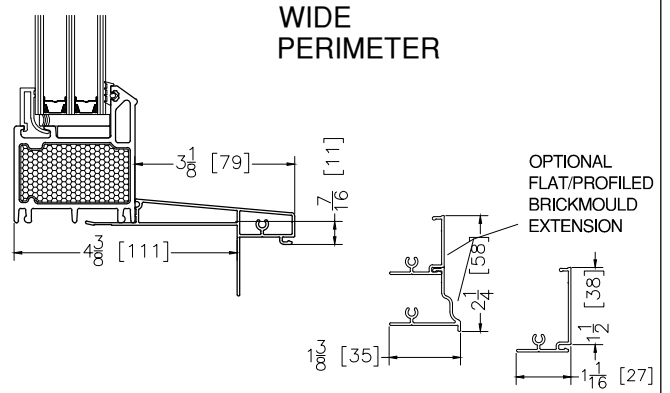
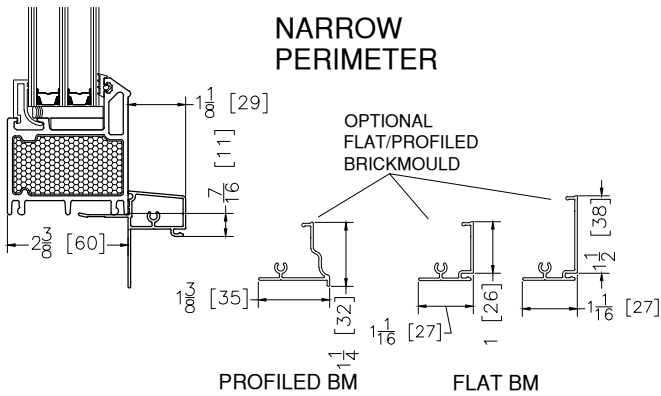


Typical Elevations

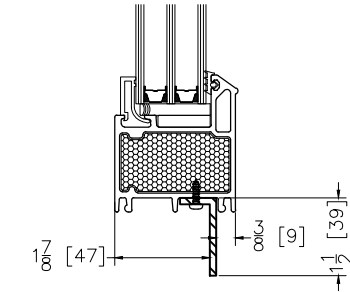


Exterior Options

ALL EXTERIOR OPTIONS ARE ALUMINUM UNLESS OTHERWISE NOTED

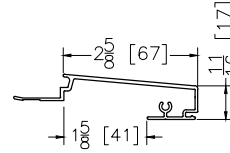


Installation Flange

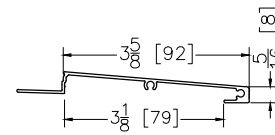


NEW FIBERGLASS NAIL FLANGE

OPTIONAL 250 PANNING OR 350 PANNING PERIMETER



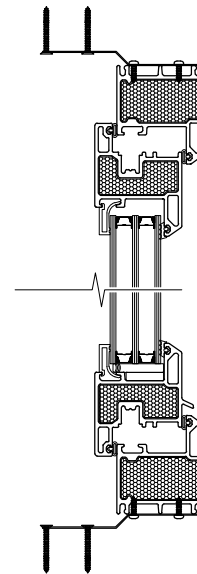
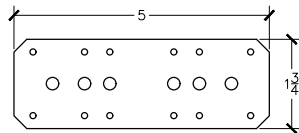
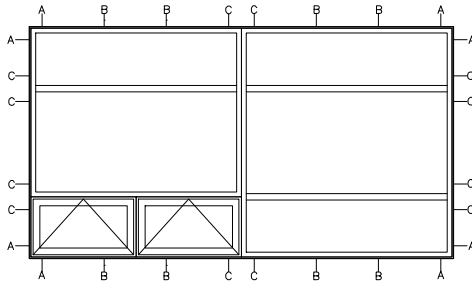
250 PANNING PERIMETER



350 PANNING PERIMETER

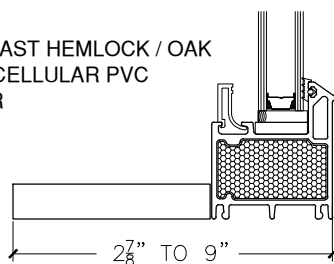
Installation Clips

- A. CORNER ANCHORS – SECURE APPROXIMATELY 4" FROM THE CORNERS
- B. PERIMETER ANCHORS – SPACING SHOULD NOT EXCEED 24" APART CENTER TO CENTER
- C. MULLION AND TRANSOM ANCHORS – ALWAYS ANCHOR WITHIN 4" OF MULLION OR TRANSOM



Interior Options

PACIFIC COAST HEMLOCK / OAK
WOOD OR CELLULAR PVC
JAMB LINER



NEW DUAL PURPOSE
1/2" AND 5/8" OR 3/4"
DRYWALL RETURN
U-CHANNEL

