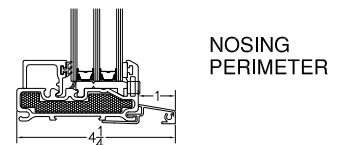
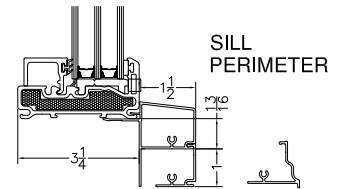
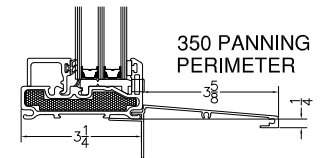
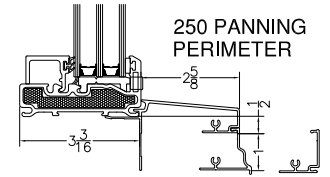
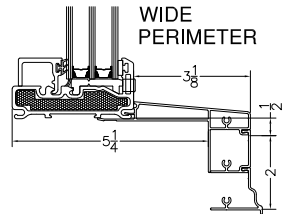
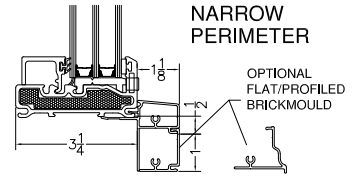


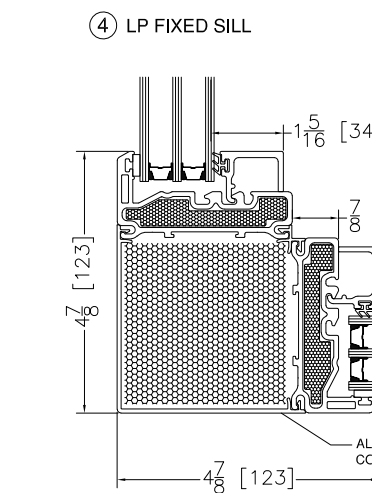
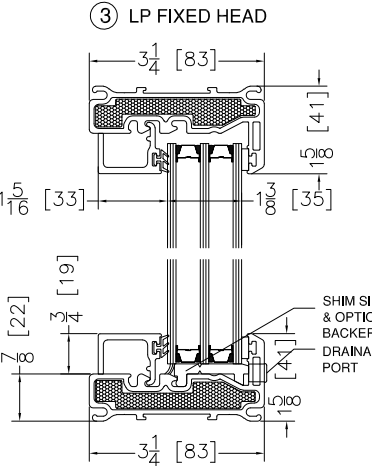
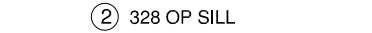
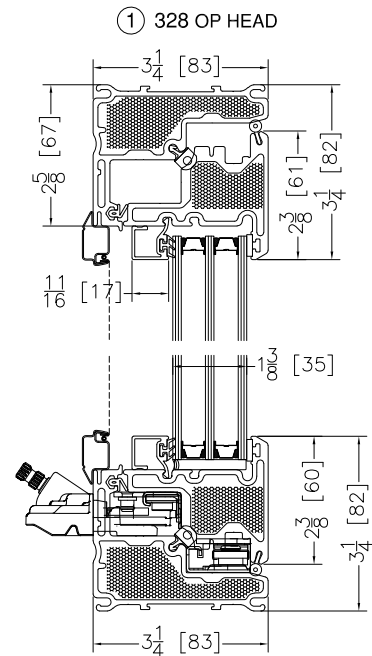
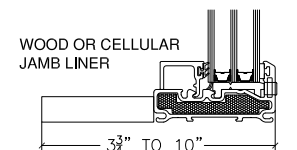
Series 328

Fiberglass Windows
Lo & Hi Profile Fixed
Outswing Awning & Casement

Exterior Options



Interior Options



INSULATING GLASS OPTIONS - DUAL (3/8" OD) - TRIPLE (1-3/8" OD) - UP TO 6mm TRIPLE OR QUINT PANE HEAT MIRROR (2" OD)

