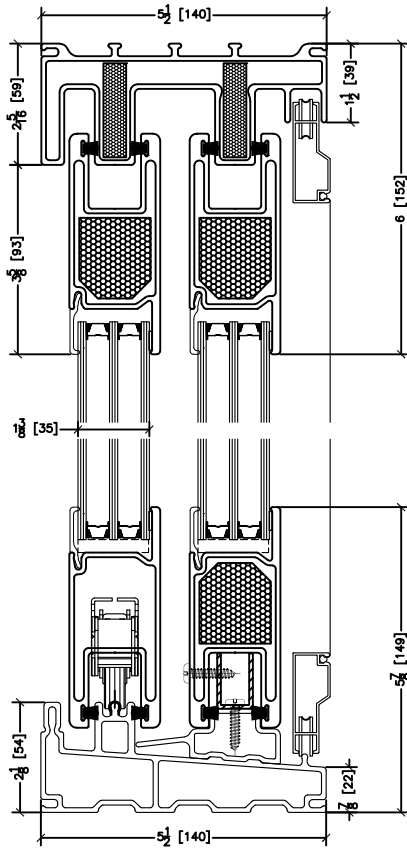
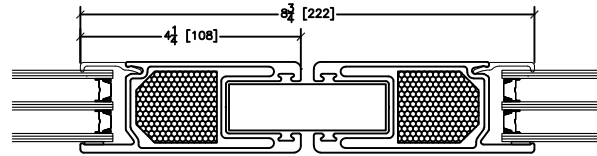


Triple Pane Section Drawings

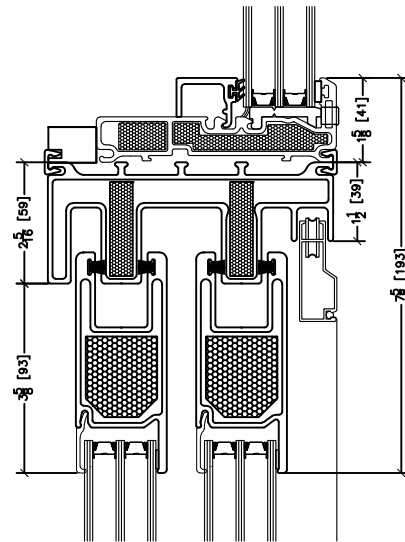
① PATIO DOOR HEAD



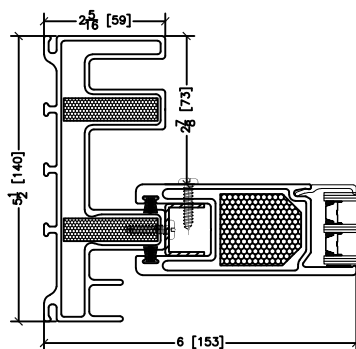
② PATIO DOOR SILL



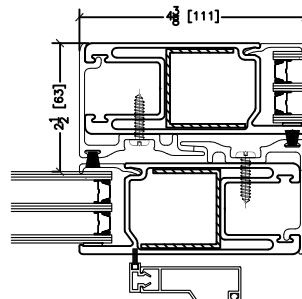
③ PATIO DOOR INTERLOCK



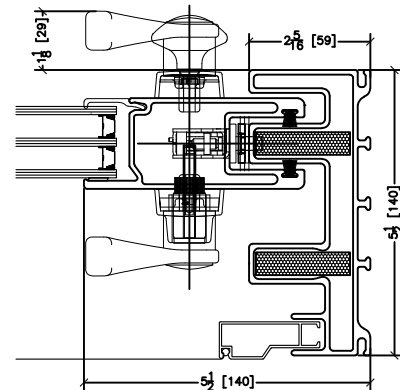
④ PATIO DOOR FIXED TRANSOM



⑤ FIXED JAMB

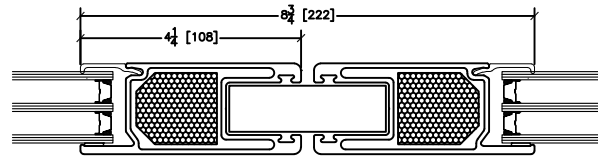
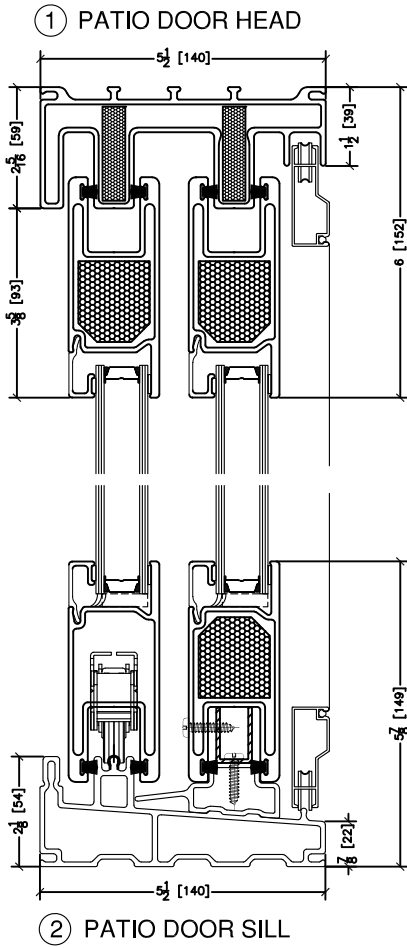


⑥ SASH INTERLOCK

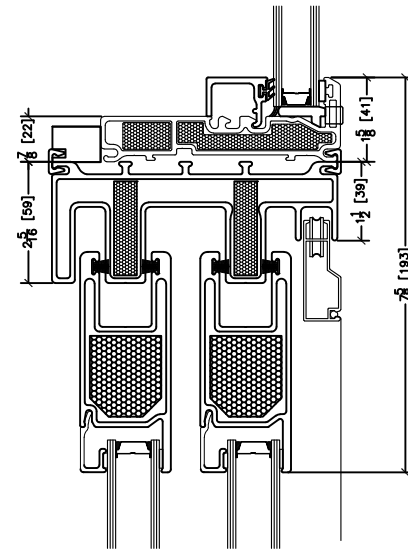


⑦ OPERABLE JAMB

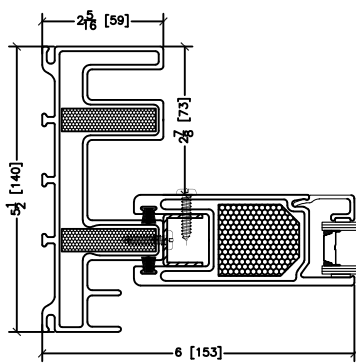
Dual Pane Section Drawings



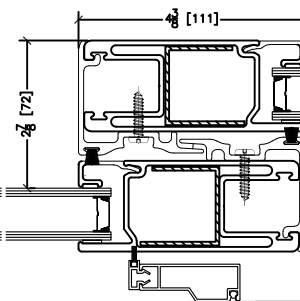
③ PATIO DOOR INTERLOCK



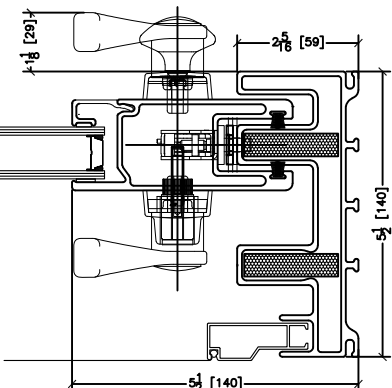
④ PATIO DOOR FIXED TRANSOM



⑤ FIXED JAMB

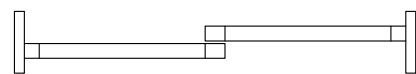
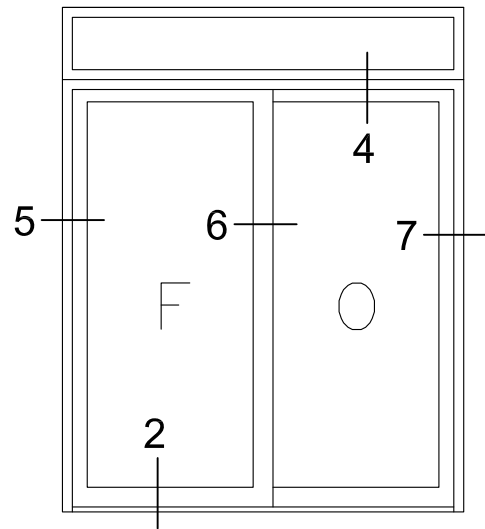
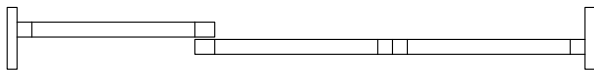
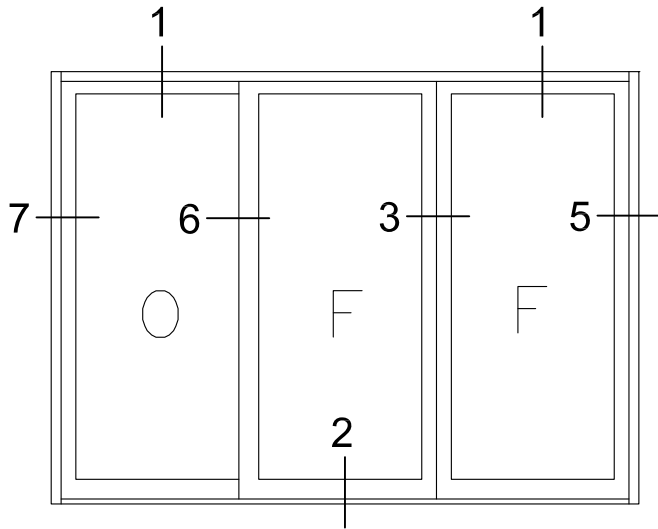
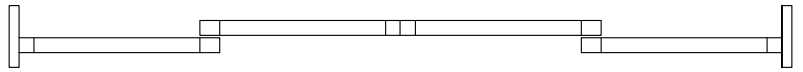
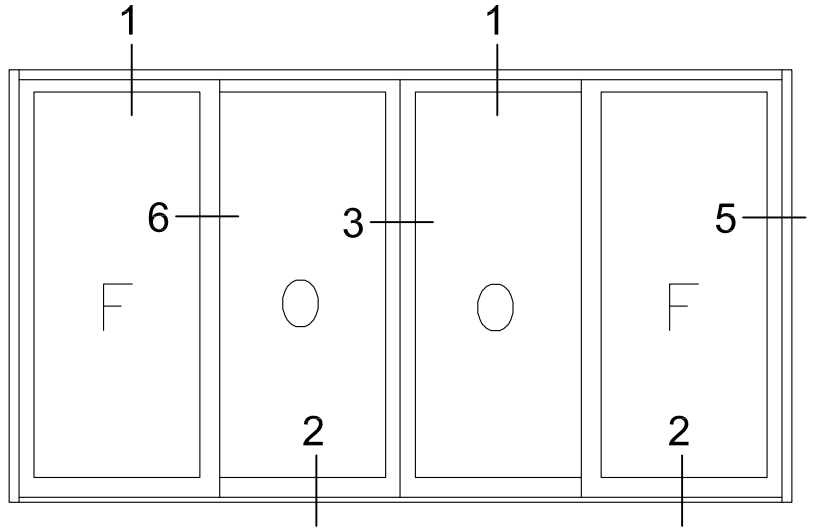
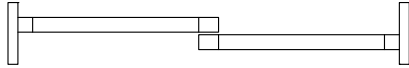
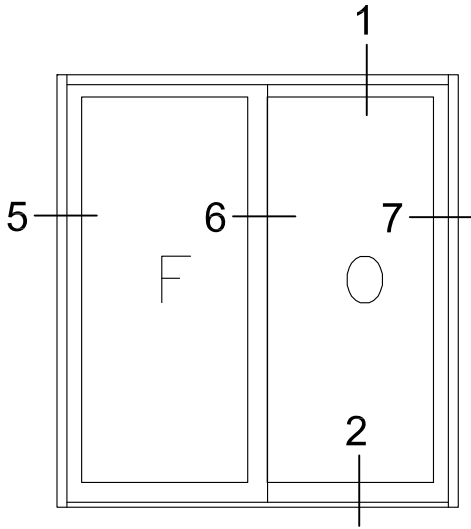


⑥ SASH INTERLOCK



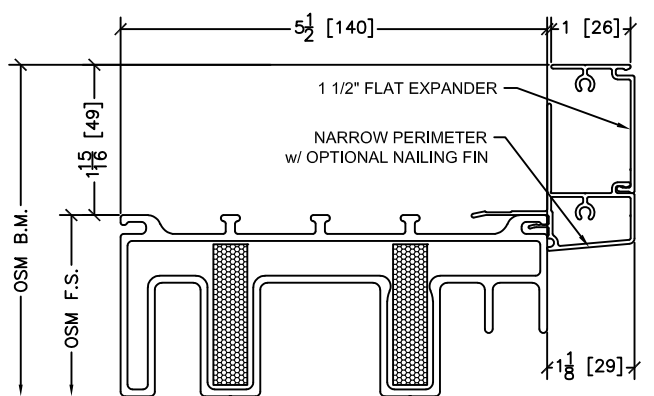
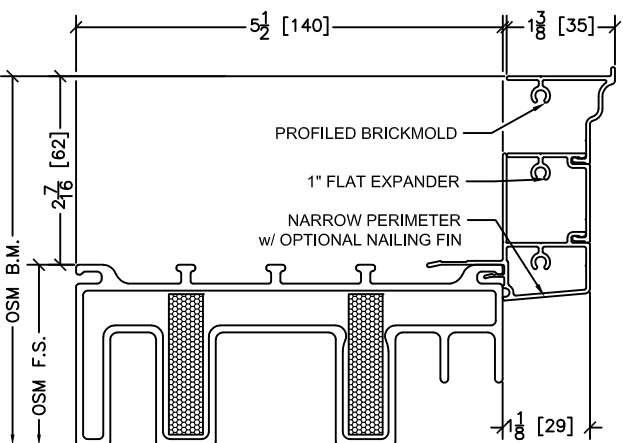
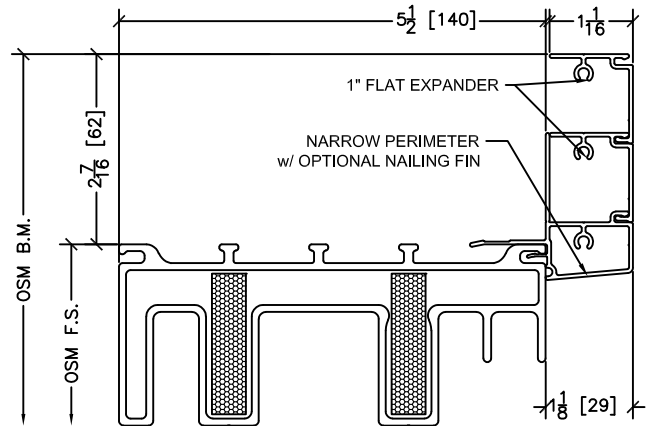
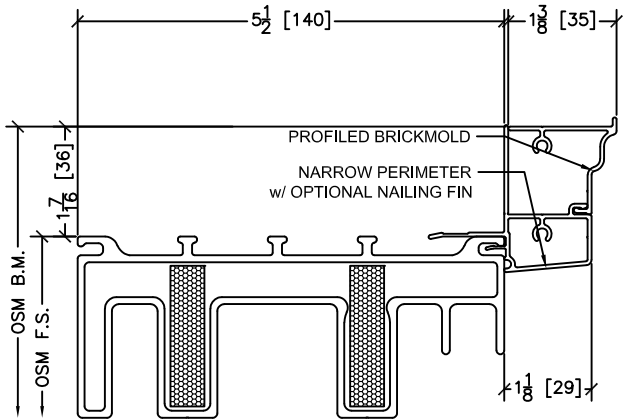
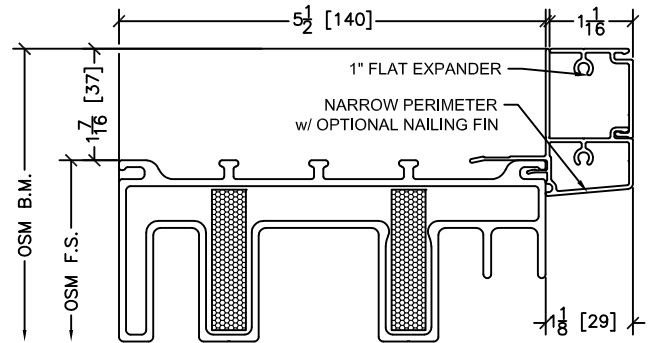
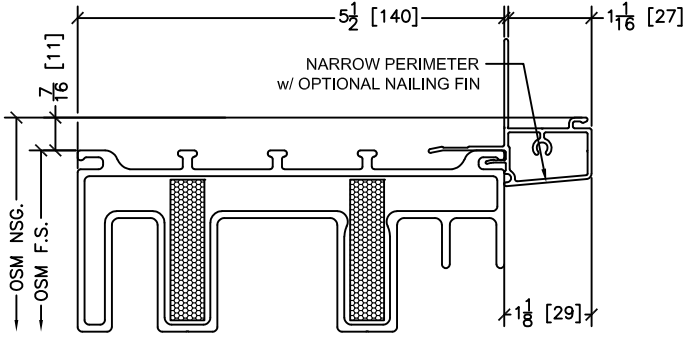
⑦ OPERABLE JAMB

Typical Elevations



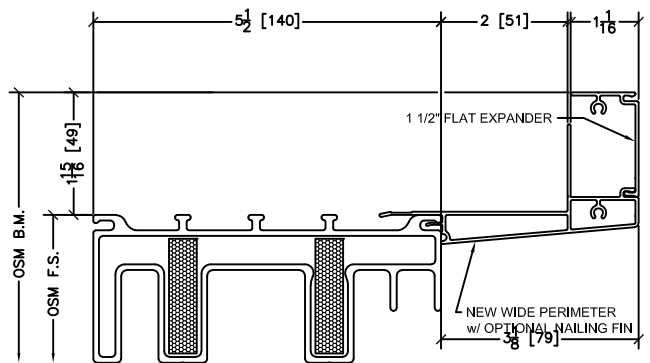
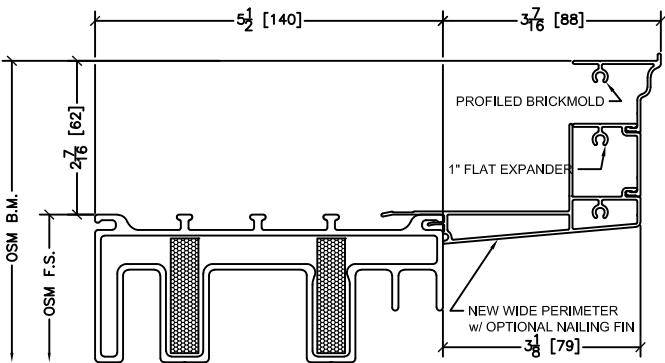
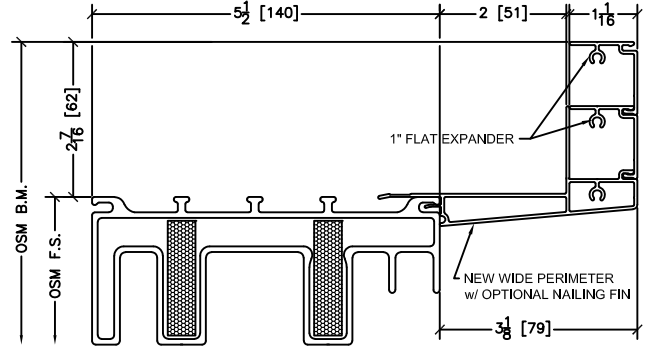
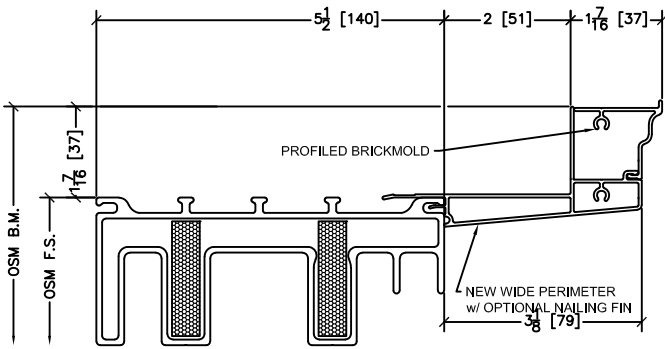
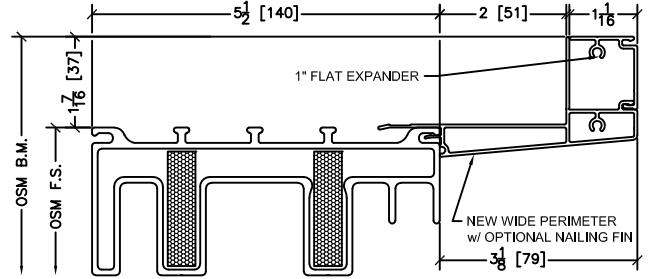
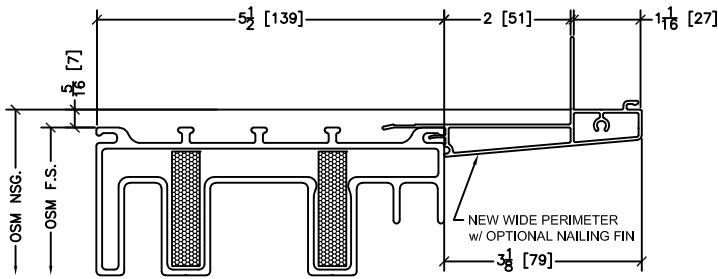
Triple Pane Narrow Perimeter w/ Brickmold Options

Rough openings are 1/2" typical on head & sill only



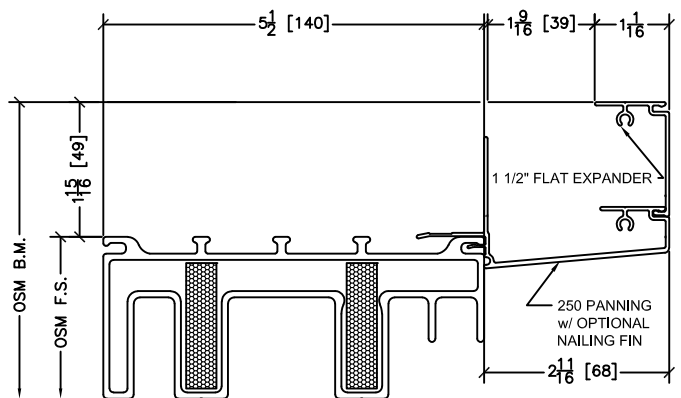
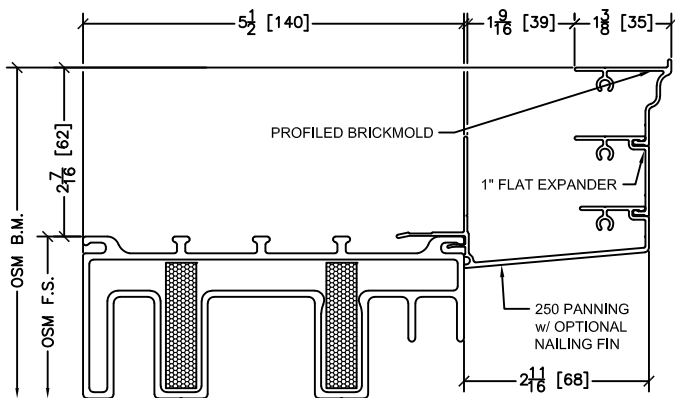
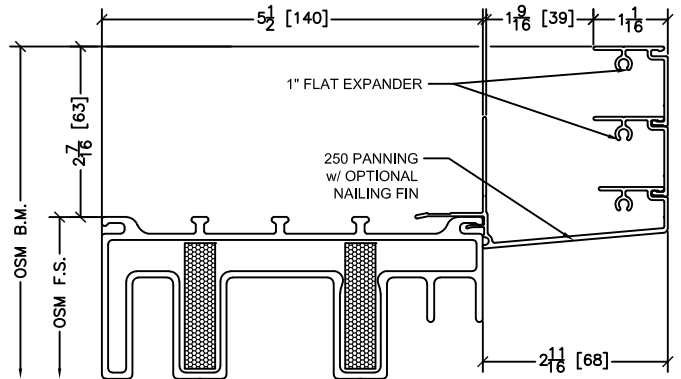
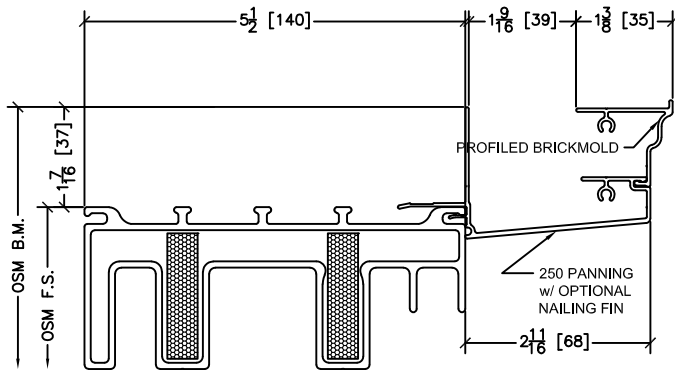
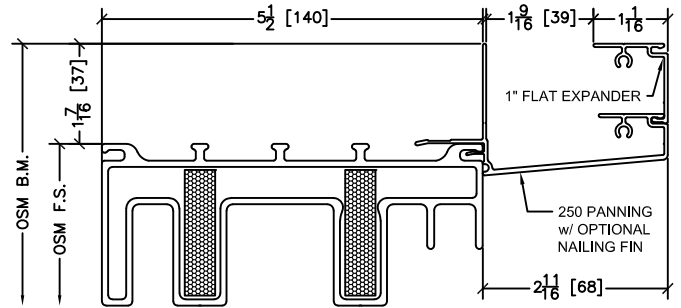
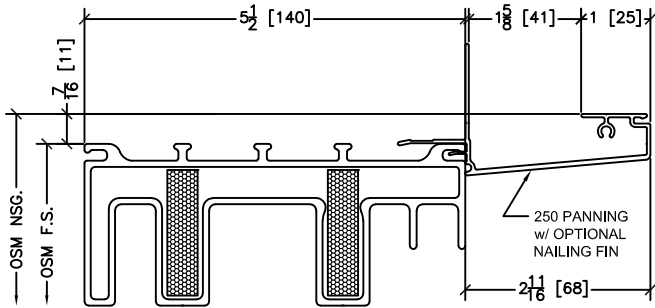
Triple Pane New Wide Perimeter w/ Brickmold Options

Rough openings are 1/2" typical on head & sill only



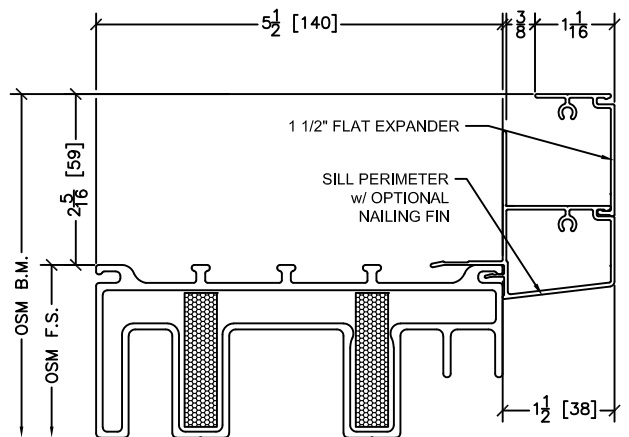
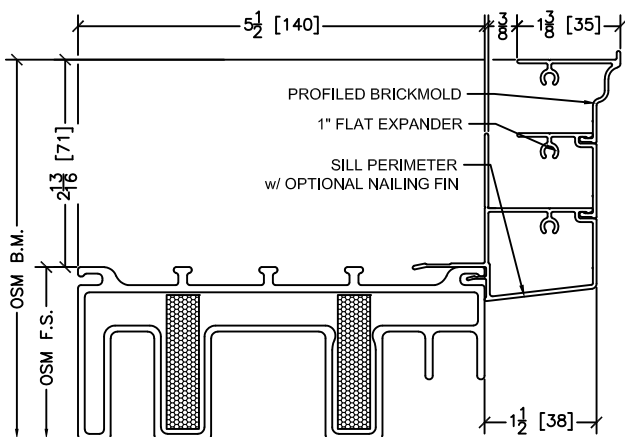
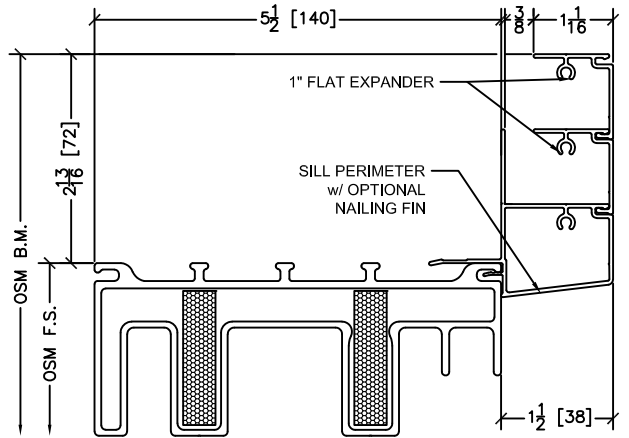
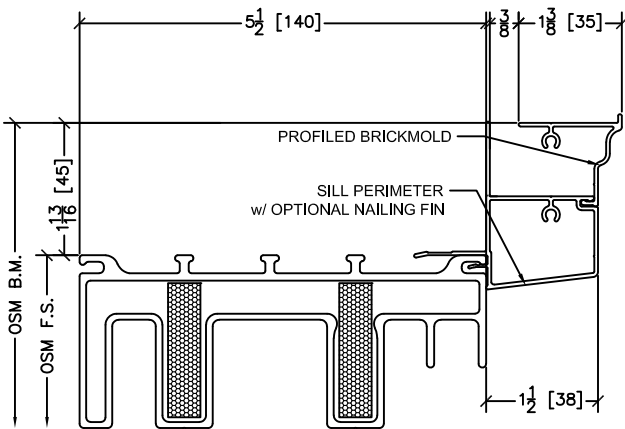
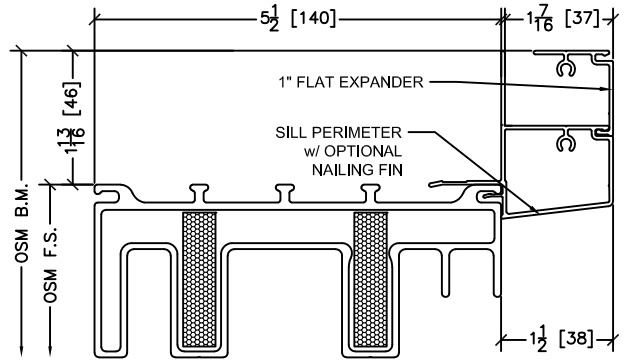
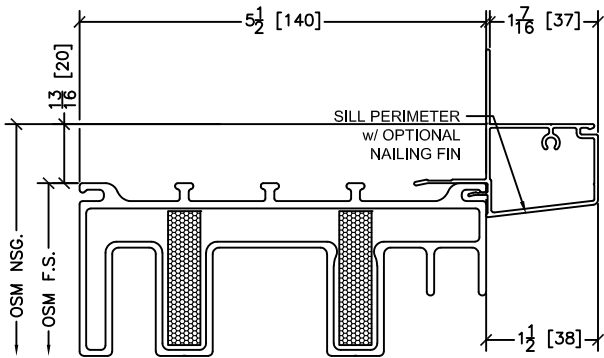
Triple Pane 250 Panning Perimeter w/ Brickmold Options

Rough openings are 1/2" typical on head & sill only

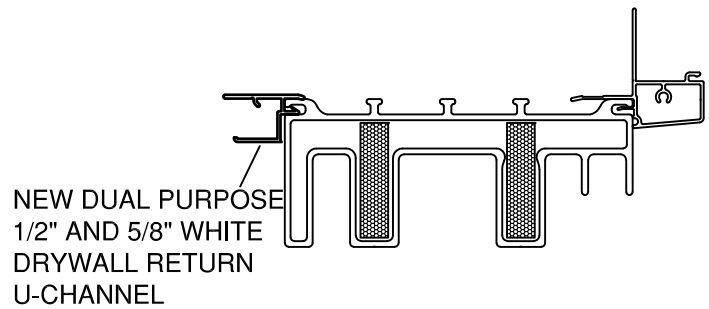
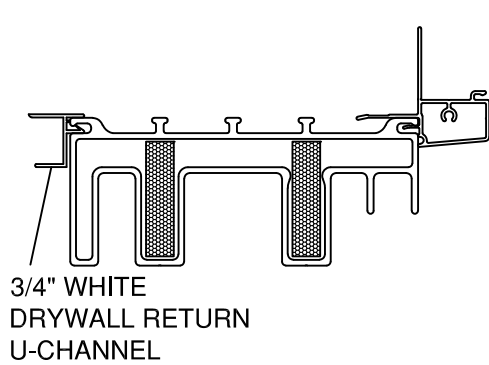
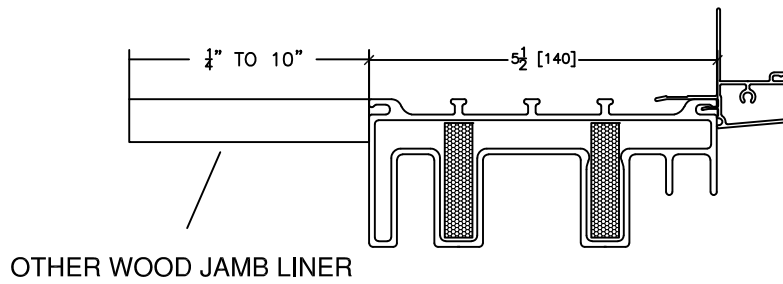
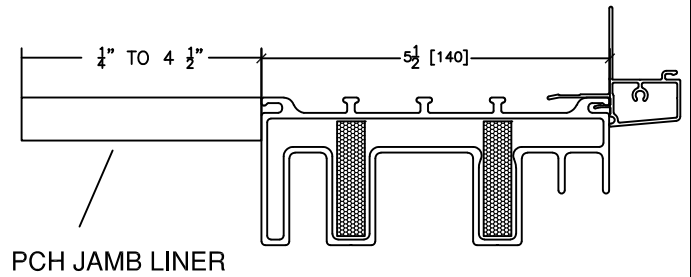
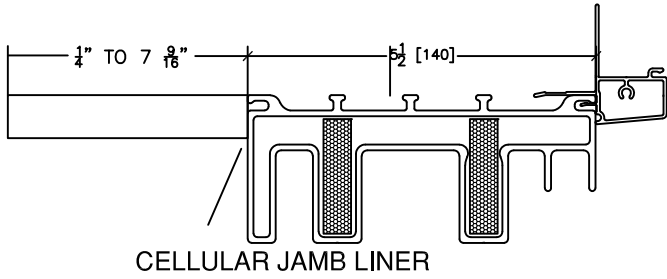


Triple pane Sill Perimeter w/ Brickmold Options

Rough openings are 1/2" typical on head & sill only

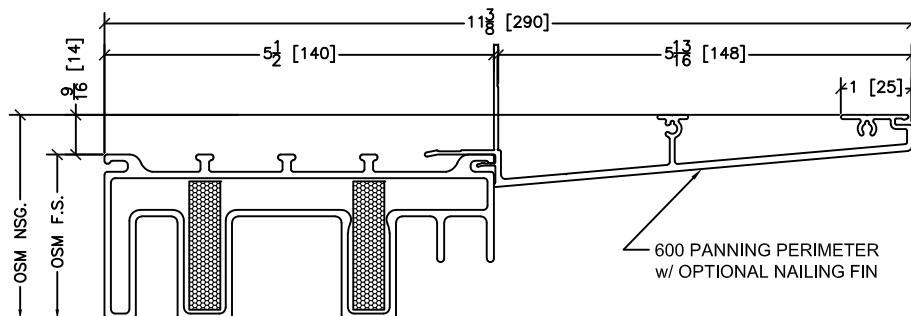
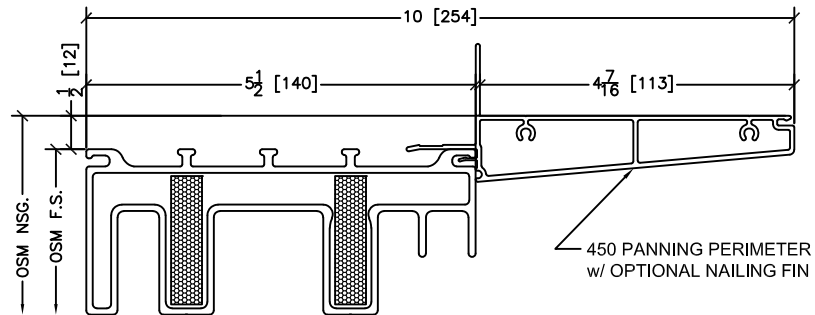
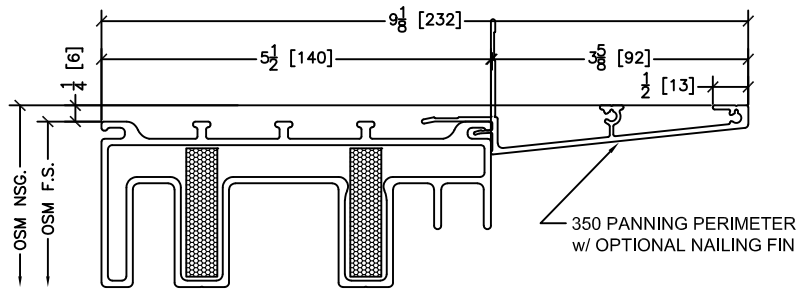
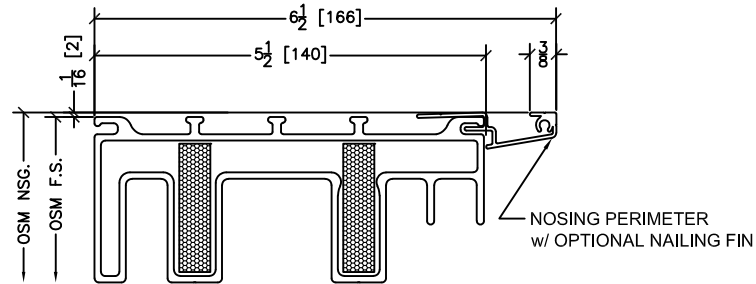


Jamb and Interior Options



Other Perimeter Options

Rough openings are 1/2" typical on head & sill only



Installation Options

Installation Clips

INSTALLATION CLIPS

- A. CORNER ANCHORS – SECURE APPROXIMATELY 4” FROM THE CORNERS
- B. PERIMETER ANCHORS – SPACING SHOULD NOT EXCEED 24” APART C/C
- C. MULLION AND TRANSOM ANCHORS – ALWAYS ANCHOR WITHIN 4” OF MULLION OR TRANSOM

NO INSTALL CLIPS ON SILL

