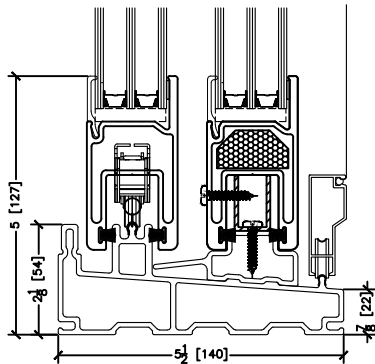
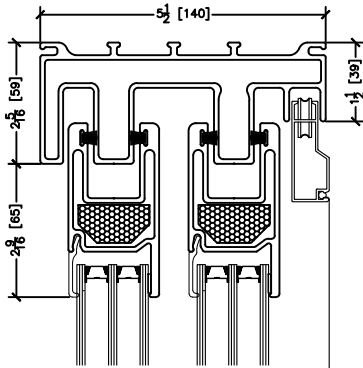
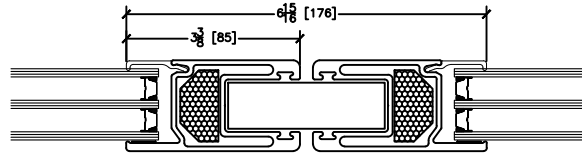


Triple Pane Section Drawings

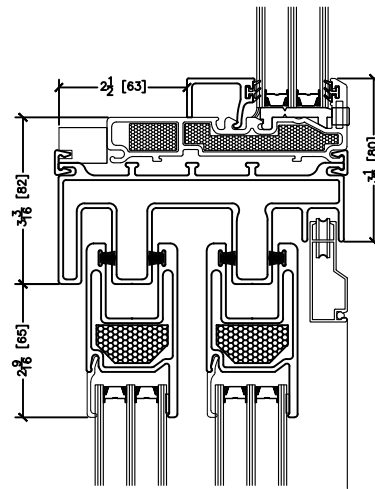
① PATIO DOOR HEAD



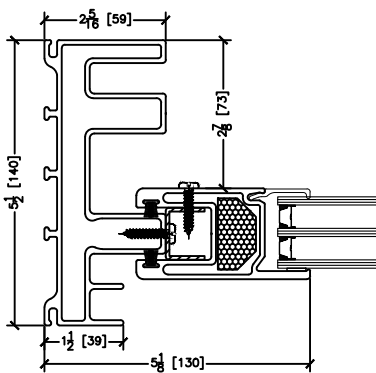
② PATIO DOOR SILL



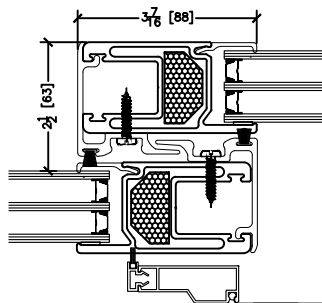
③ PATIO DOOR INTERLOCK



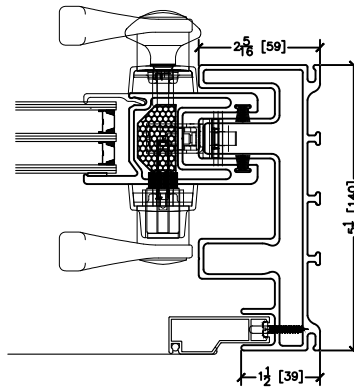
④ PATIO DOOR FIXED TRANSOM



⑤ FIXED JAMB



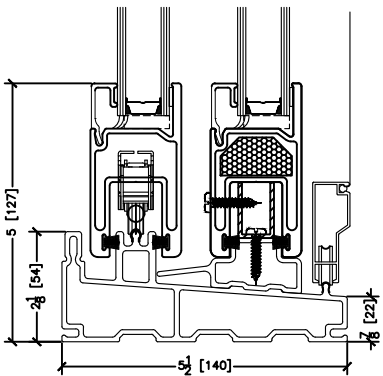
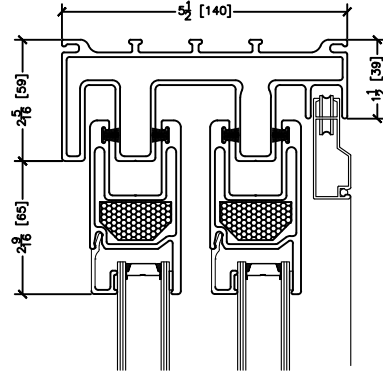
⑥ SASH INTERLOCK



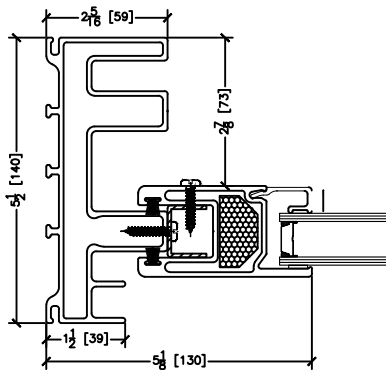
⑦ OPERABLE JAMB

Dual Pane Section Drawings

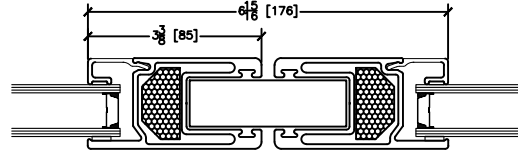
① PATIO DOOR HEAD



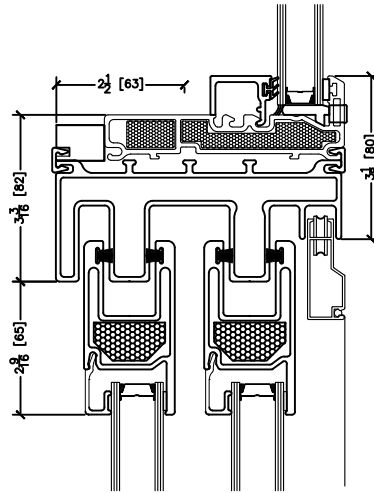
② PATIO DOOR SILL



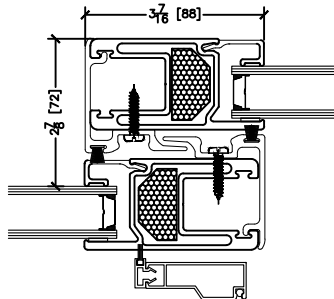
⑤ FIXED JAMB



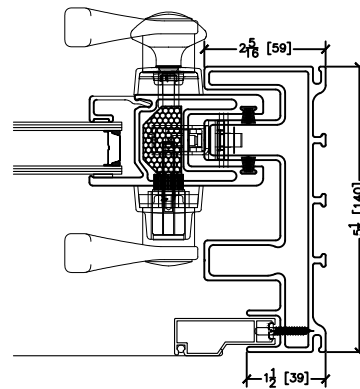
③ PATIO DOOR INTERLOCK



④ PATIO DOOR FIXED TRANSOM

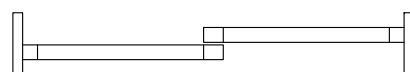
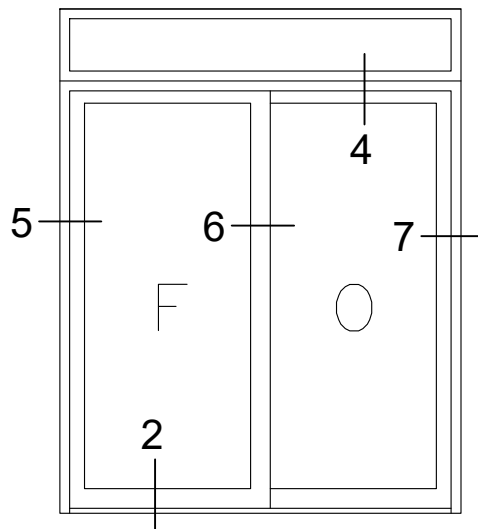
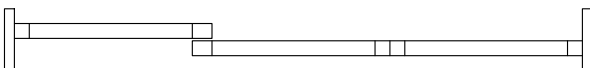
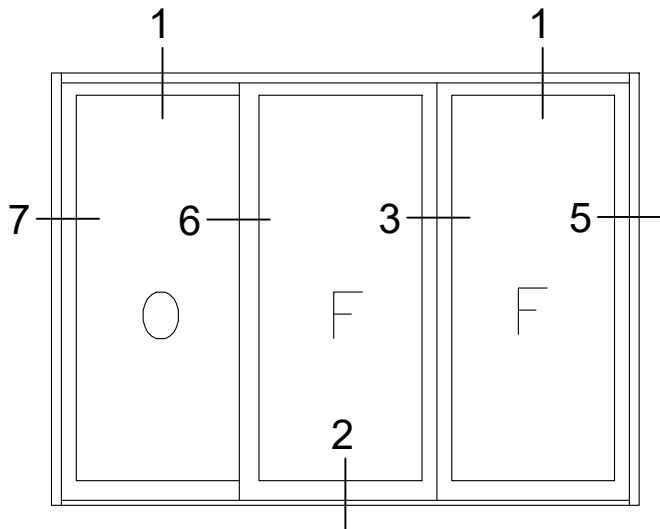
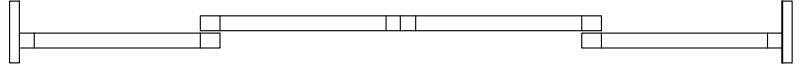
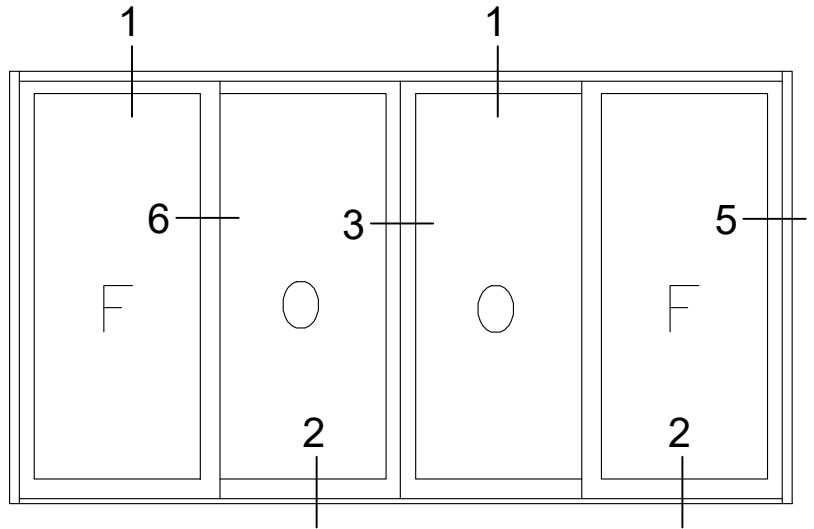
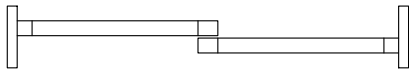
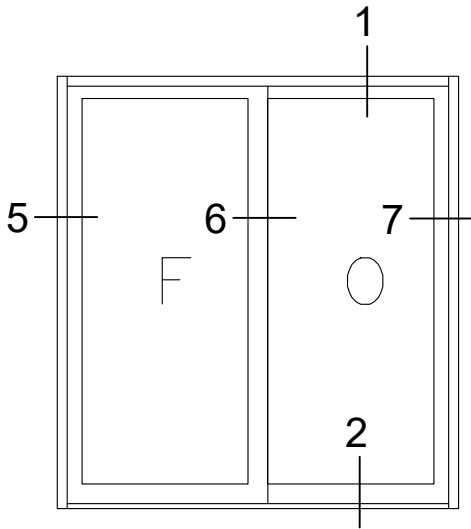


⑥ SASH INTERLOCK



⑦ OPERABLE JAMB

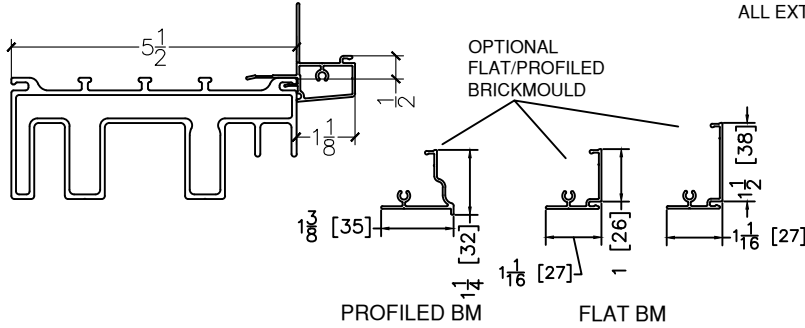
Typical Elevations



**Exterior Options**

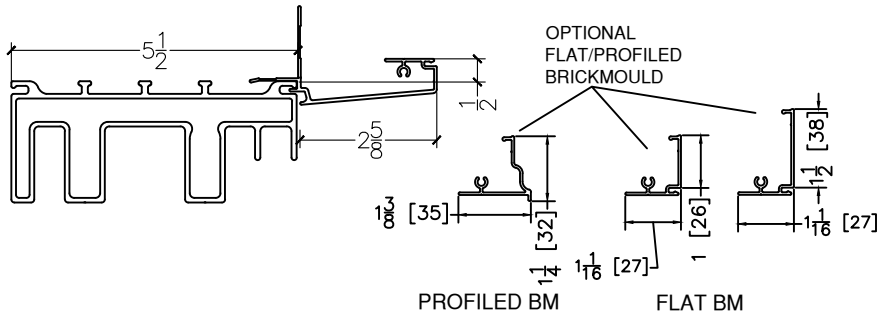
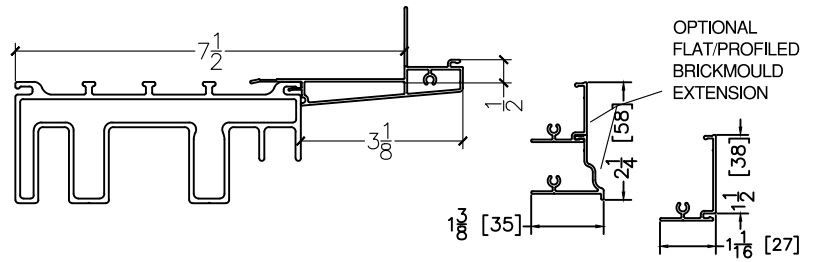
**NARROW PERIMETER**

ALL EXTERIOR OPTIONS ARE ALUMINUM UNLESS OTHERWISE NOTED



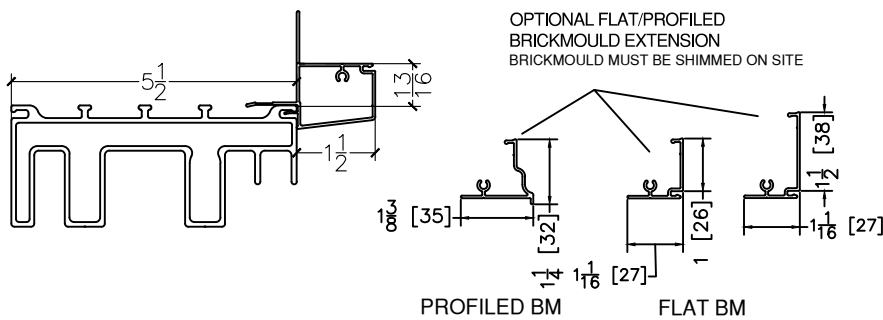
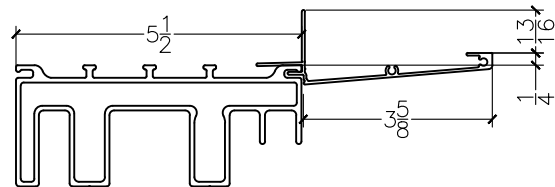
**WIDE PERIMETER**

**250 PANNING PERIMETER**

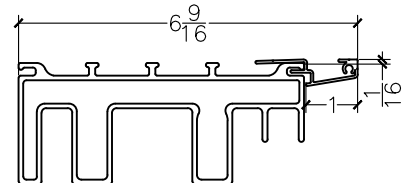


**350 PANNING PERIMETER**

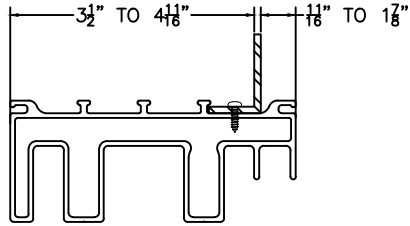
**SILL PERIMETER**



**NOSING PERIMETER**

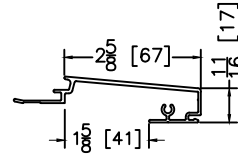


**Exterior Options**

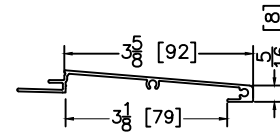


NEW FIBERGLASS NAIL FLANGE

OPTIONAL 250 PANNING OR  
350 PANNING PERIMETER



250 PANNING PERIMETER

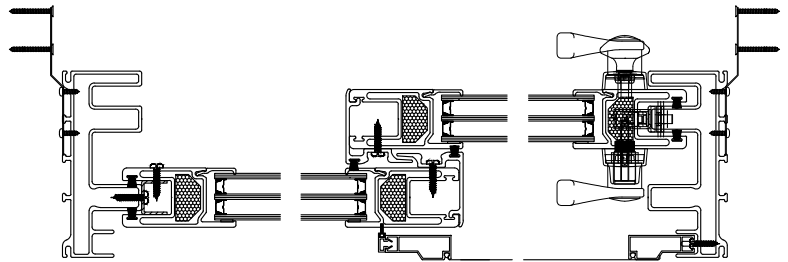
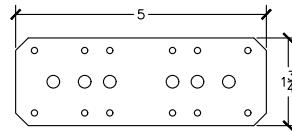
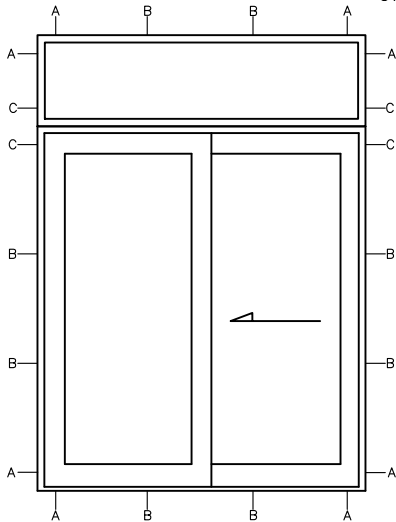


350 PANNING PERIMETER

**Installation Clips**

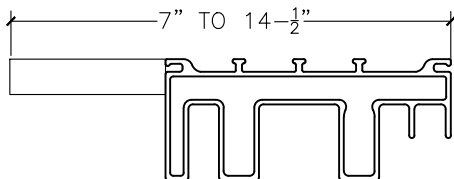
INSTALLATION CLIPS

- A. CORNER ANCHORS – SECURE APPROXIMATELY 4" FROM THE CORNERS
- B. PERIMETER ANCHORS – SPACING SHOULD NOT EXCEED 24" APART C/C
- C. MULLION AND TRANSOM ANCHORS – ALWAYS ANCHOR WITHIN 4" OF MULLION OR TRANSOM



**Interior Options**

PACIFIC COAST HEMLOCK / OAK  
WOOD OR CELLULAR PVC  
JAMB LINER



NEW DUAL PURPOSE  
1/2" AND 5/8" WHITE  
DRYWALL RETURN  
U-CHANNEL



3/4" WHITE  
DRYWALL RETURN  
U-CHANNEL

