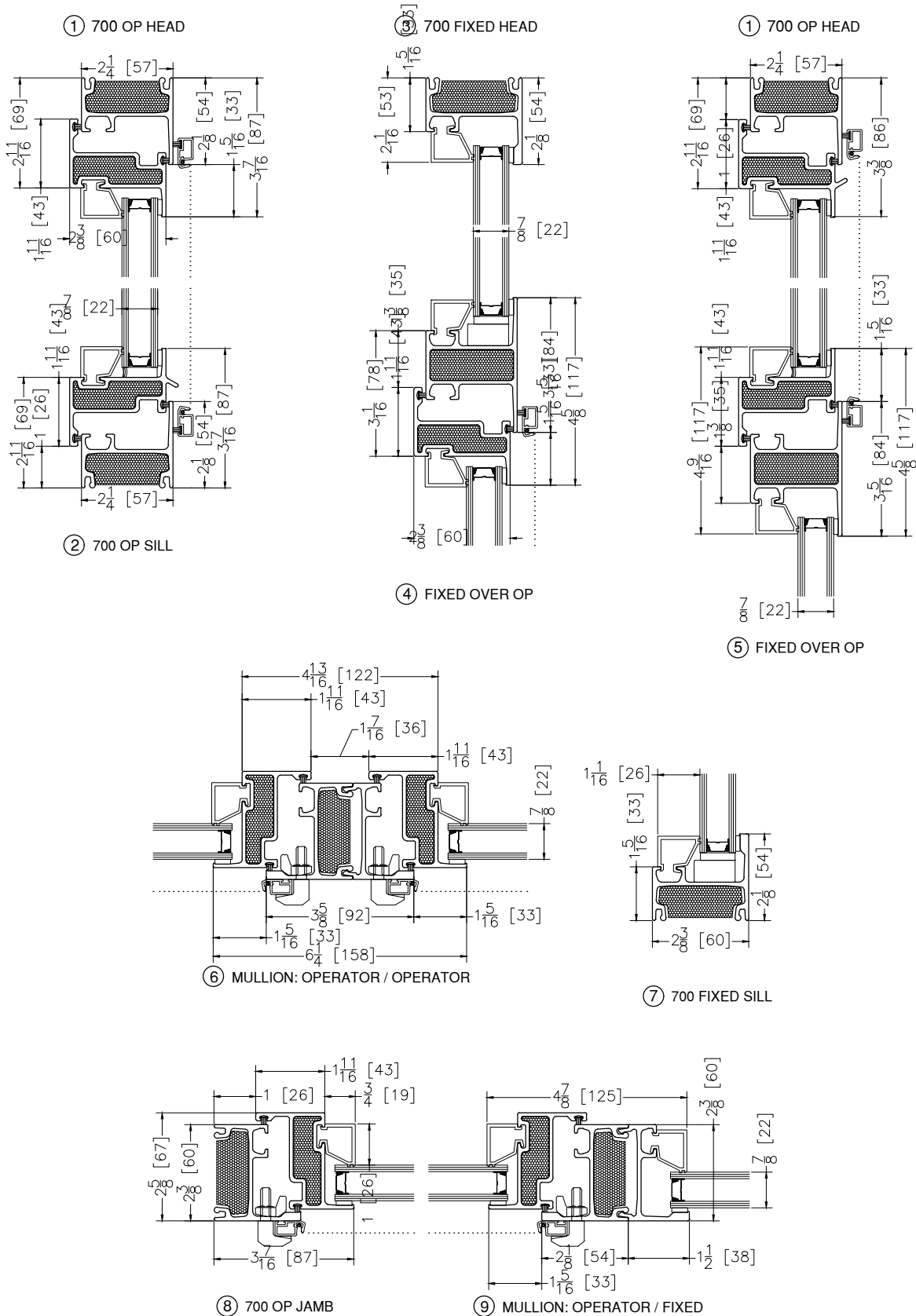


Dual Pane Section Drawings



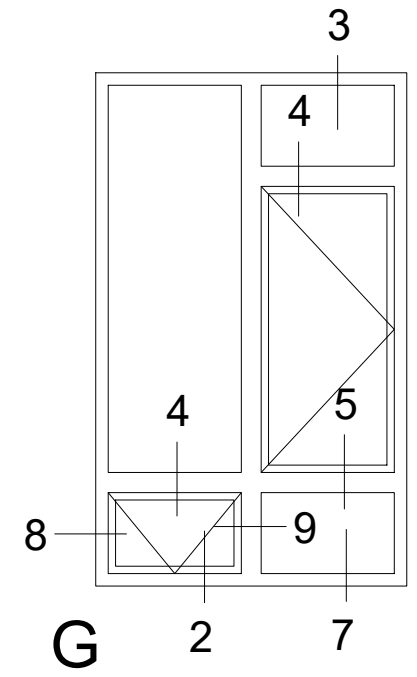
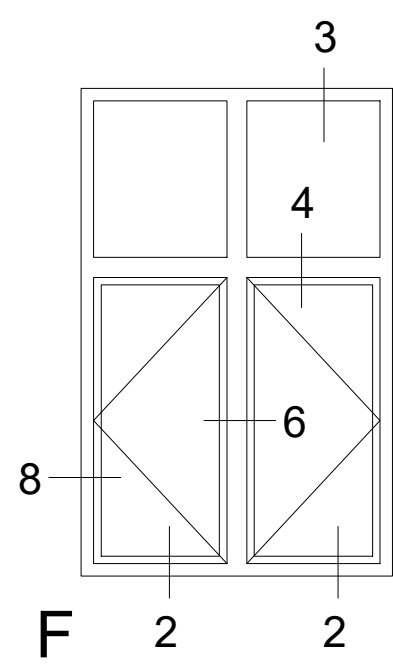
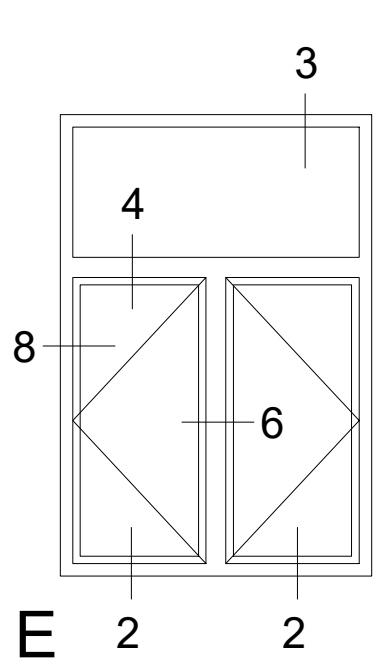
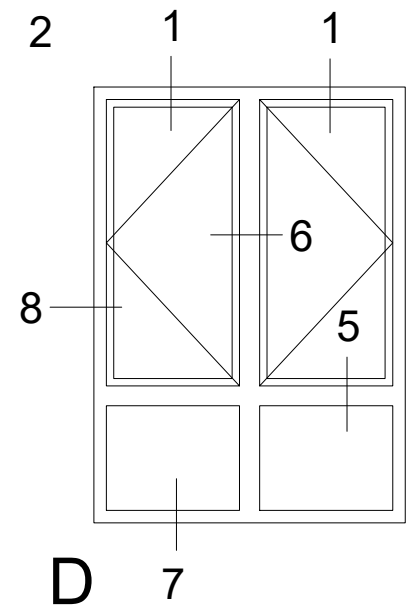
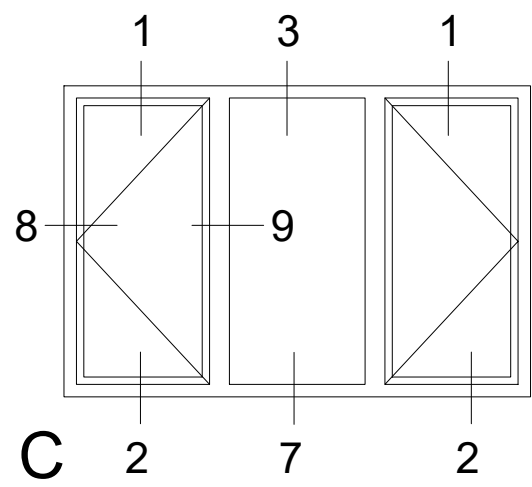
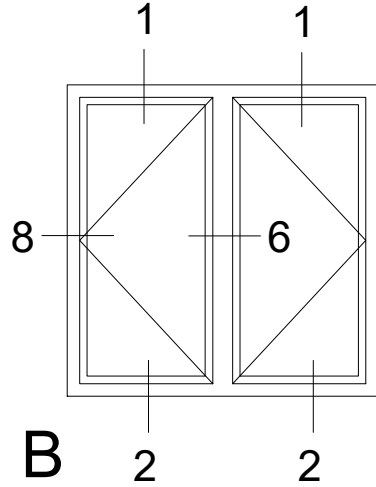
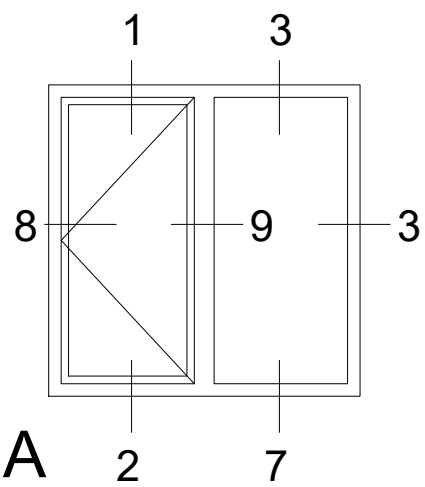


Series 700 Fiberglass Windows

Hoppers
Inswing Awning & Casement

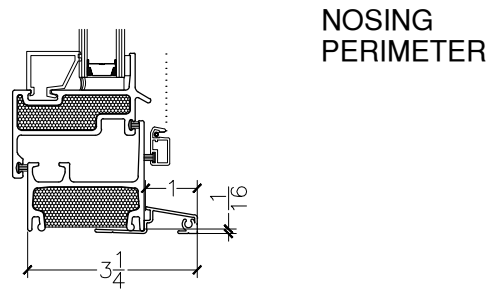
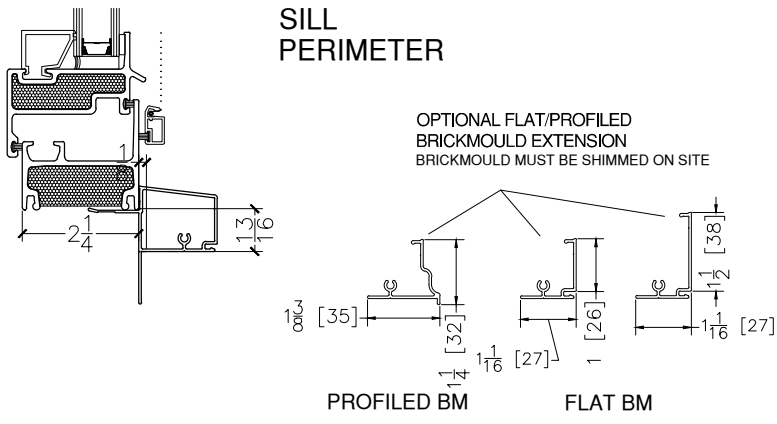
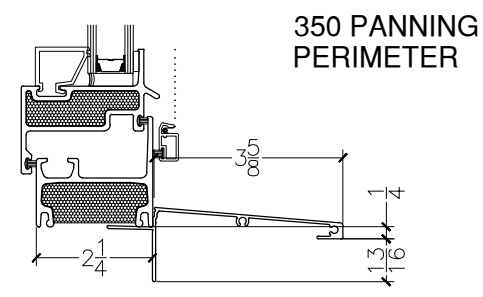
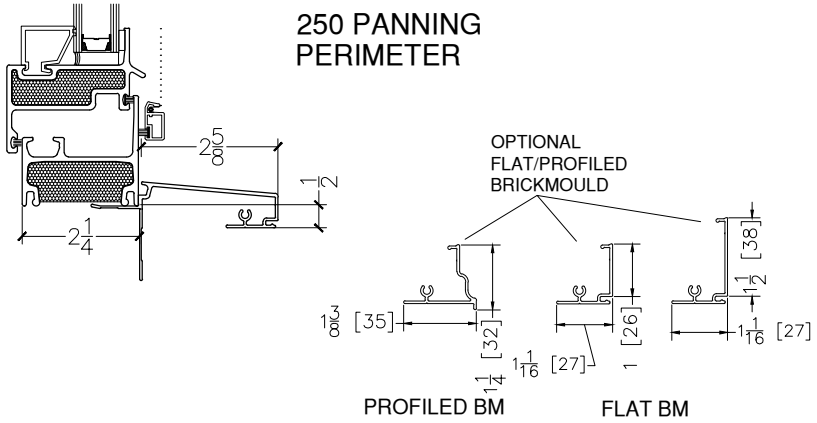
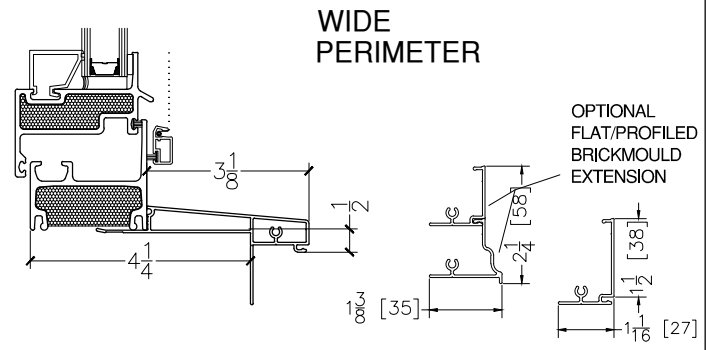
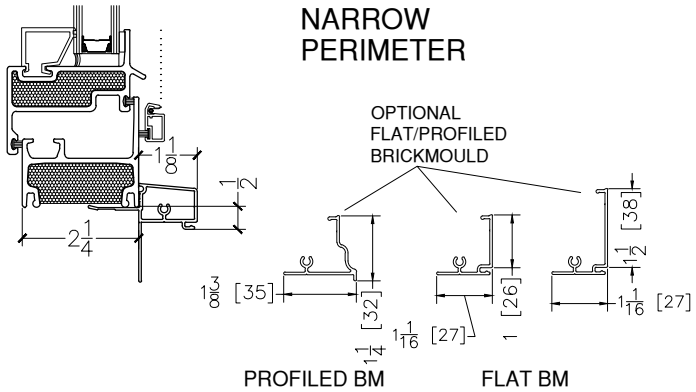
45 Higgins Ave.
Winnipeg MB R3B 0A8
Tel. 1-204-339-6456
Fax 1-204-334-1800

Typical Elevations

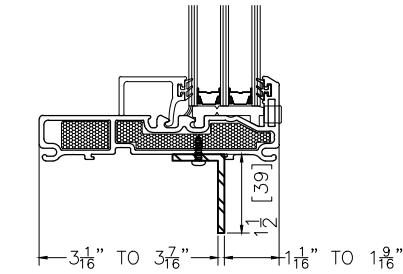


Exterior Options

ALL EXTERIOR OPTIONS ARE ALUMINUM UNLESS OTHERWISE NOTED

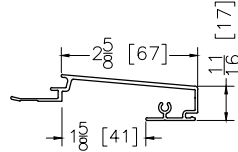


Installation Flange

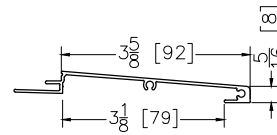


NEW FIBERGLASS NAIL FLANGE

OPTIONAL 250 PANNING OR
350 PANNING PERIMETER



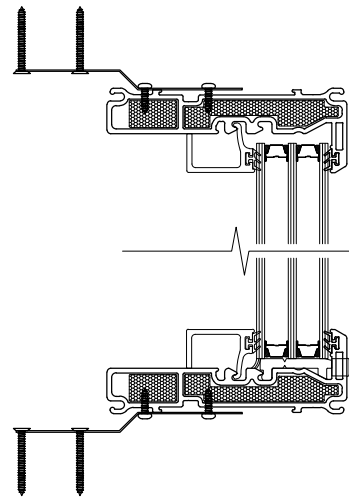
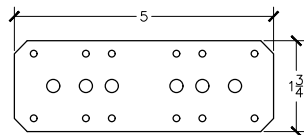
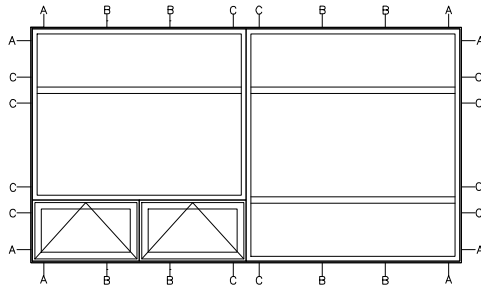
250 PANNING PERIMETER (NO NAIL FLANGE)



350 PANNING PERIMETER (NO NAIL FLANGE)

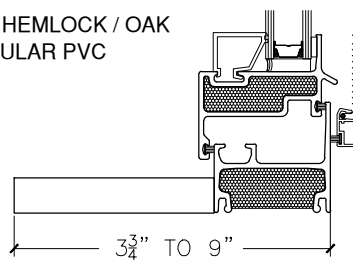
Installation Clips

- A. CORNER ANCHORS – SECURE APPROXIMATELY 4" FROM THE CORNERS
- B. PERIMETER ANCHORS – SPACING SHOULD NOT EXCEED 24" APART CENTER TO CENTER
- C. MULLION AND TRANSOM ANCHORS – ALWAYS ANCHOR WITHIN 4" OF MULLION OR TRANSOM



Interior Options

PACIFIC COAST HEMLOCK / OAK
WOOD OR CELLULAR PVC
JAMB LINER



NEW DUAL PURPOSE
1/2" AND 5/8" OR 3/4"
DRYWALL RETURN
U-CHANNEL

