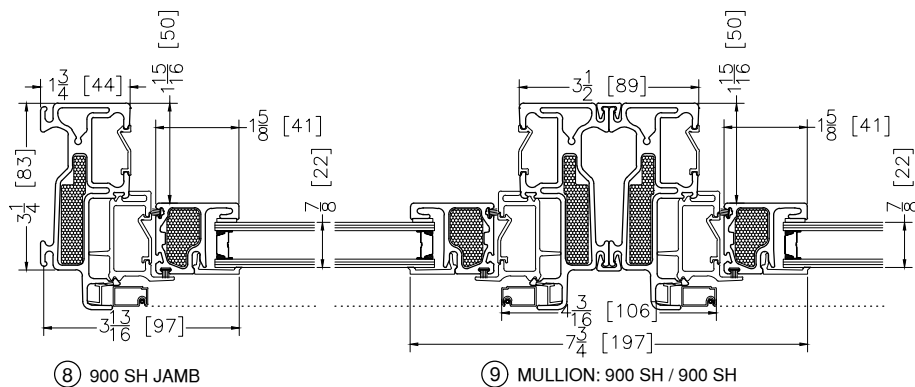
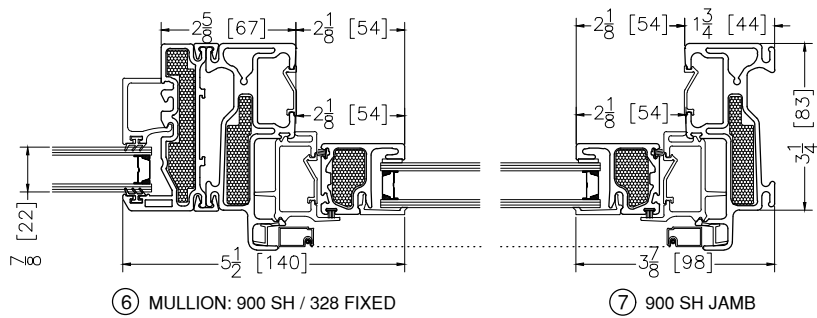
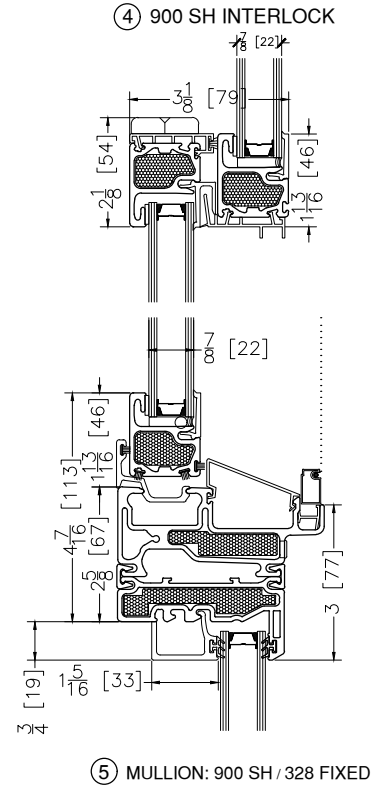
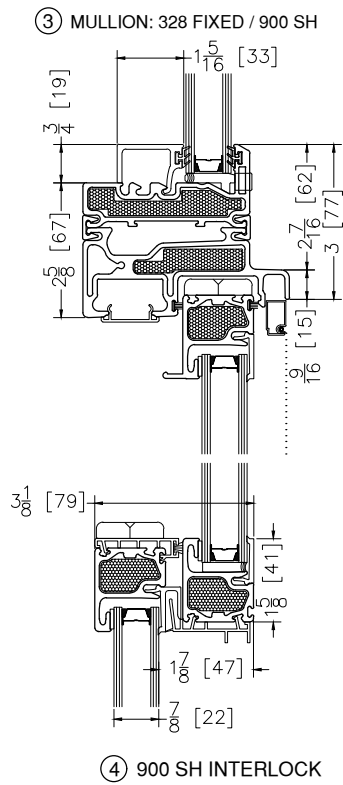
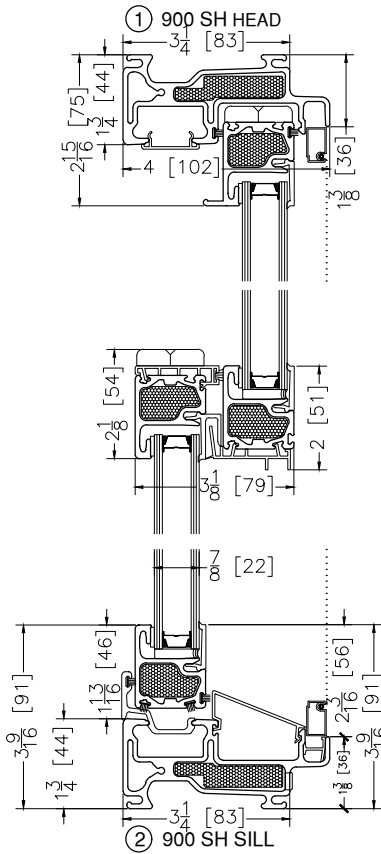
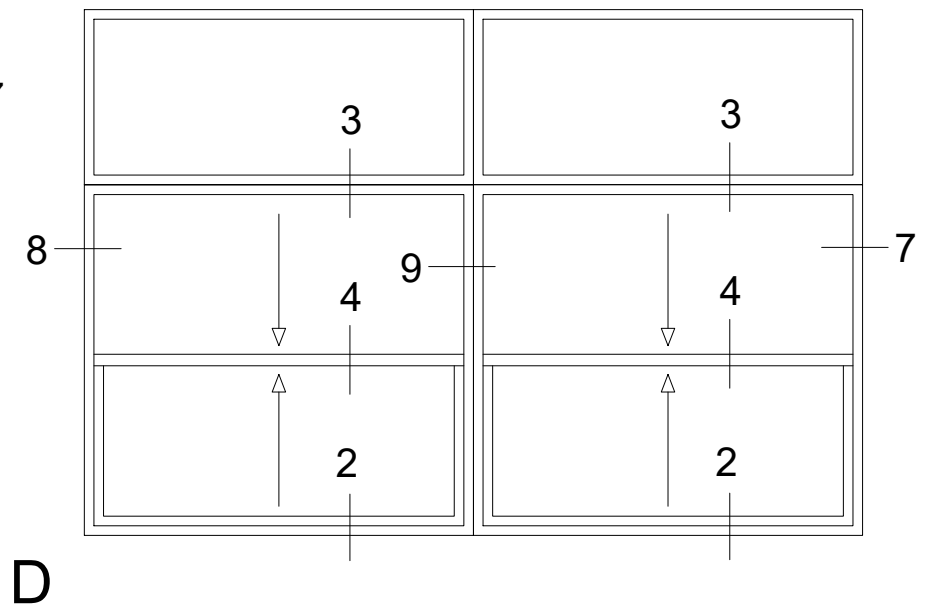
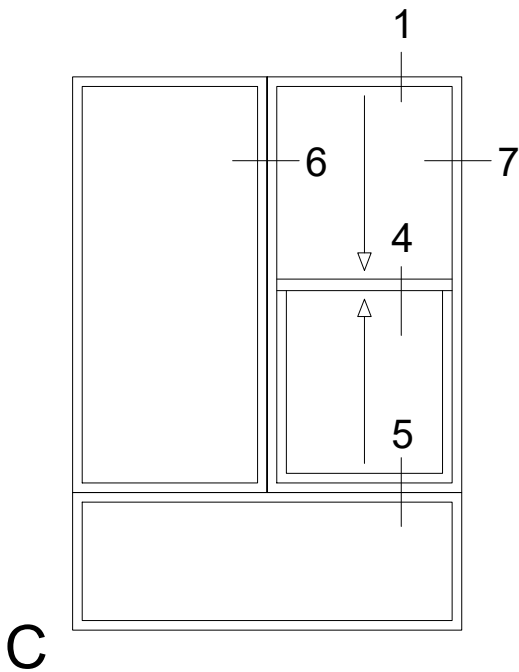
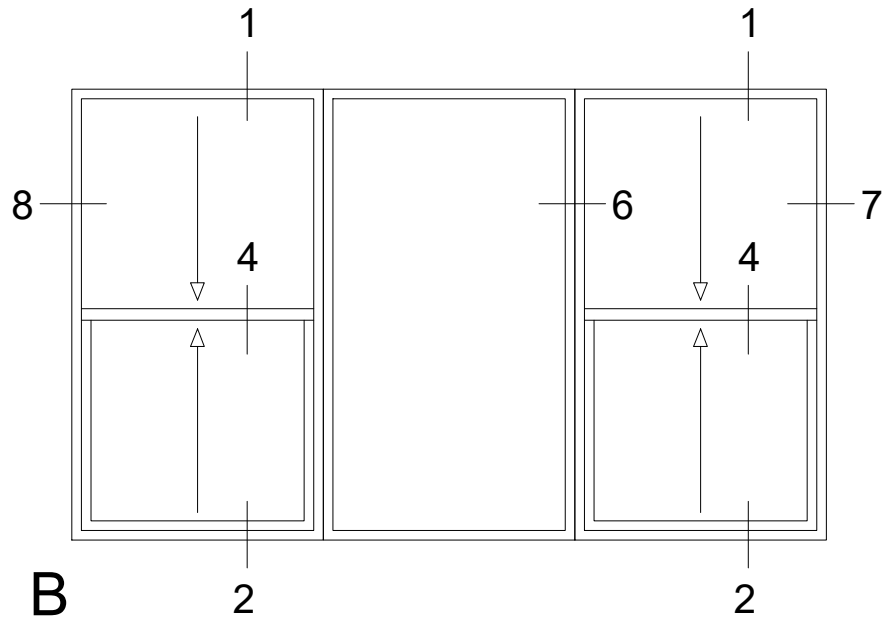
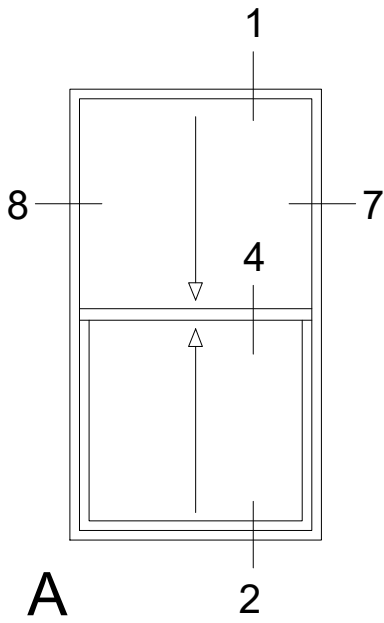


Dual Pane Section Drawings



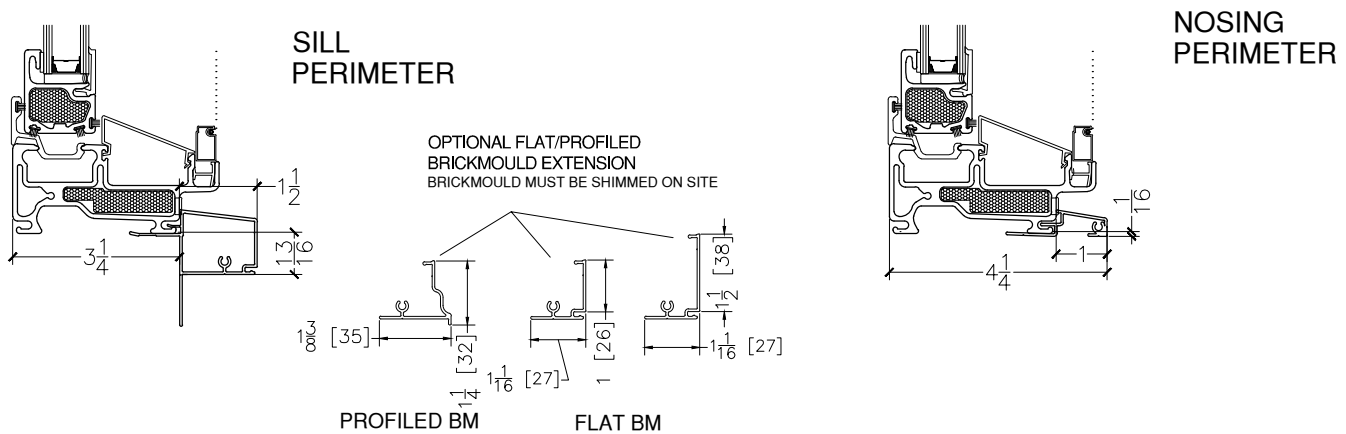
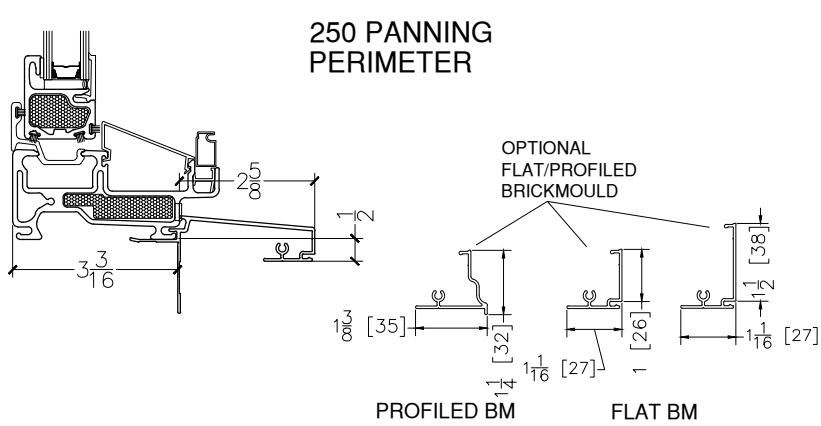
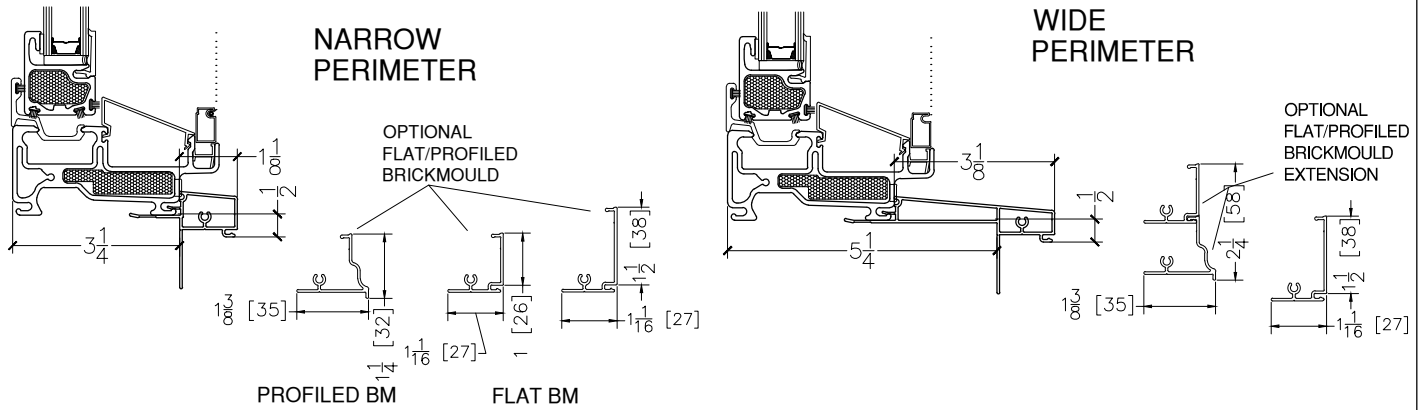


Typical Elevations



Exterior Options

ALL EXTERIOR OPTIONS ARE ALUMINUM UNLESS OTHERWISE NOTED



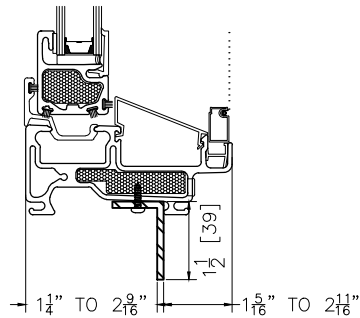


Series 900 Fiberglass Windows

Double Hung

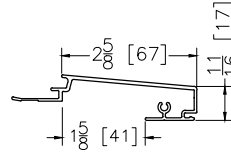
45 Higgins Ave.
 Winnipeg MB R3B 0A8
 Tel. 1-204-339-6456
 Fax 1-204-334-1800

Installation Flange

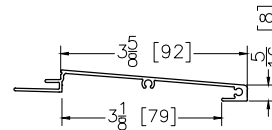


NEW FIBERGLASS NAIL FLANGE

OPTIONAL 250 PANNING OR
 350 PANNING PERIMETER



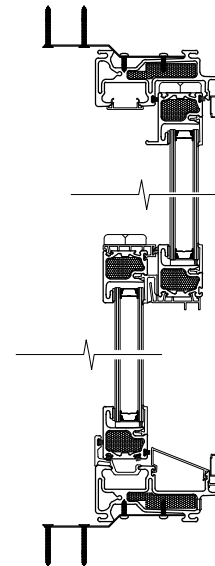
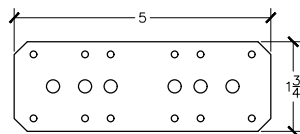
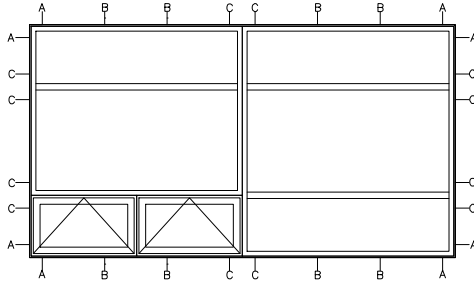
250 PANNING PERIMETER (NO NAIL FLANGE)



350 PANNING PERIMETER (NO NAIL FLANGE)

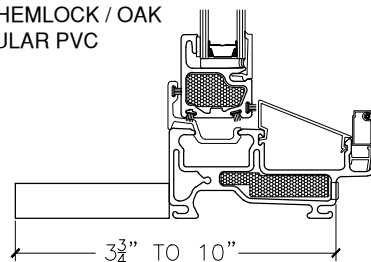
Installation Clips

- A. CORNER ANCHORS – SECURE APPROXIMATELY 4" FROM THE CORNERS
- B. PERIMETER ANCHORS – SPACING SHOULD NOT EXCEED 24" APART CENTER TO CENTER
- C. MULLION AND TRANSOM ANCHORS – ALWAYS ANCHOR WITHIN 4" OF MULLION OR TRANSOM



Interior Options

PACIFIC COAST HEMLOCK / OAK
 WOOD OR CELLULAR PVC
 JAMB LINER



NEW DUAL PURPOSE
 1/2" AND 5/8" OR 3/4"
 DRYWALL RETURN
 U-CHANNEL

