

# Patio Door Installation Guidelines



## INSTALLATION SEQUENCE

- CHECK & PREPARE OPENING
- ROUGH OPENING SHOULD MEASURE FRAME HEIGHT PLUS ½" ( OR UP TO ¾") AND FRAME WIDTH PLUS 1"
- HAVING A LEVEL & EVEN FLOOR IS ESPECIALLY IMPORTANT FOR THE DOOR TO SLIDE SMOOTHLY
- APPLY A WATER IMPERMEABLE MEMBRANE TO THE BOTTOM OF THE ROUGH OPENING.
- APPLY SEALANT TO THE BACK OF THE NAILING FIN, ON THE TOP AND SIDES, OR USE A MEMBRANE
- APPLY ACOUSTIC SEALANT DIRECTLY TO THE SUBFLOOR
- SET THE SILL DIRECTLY DOWN INTO THE BED OF SILICONE & CENTER IN THE ROUGH OPENING, PRIMARY SILICONE SEAL SHOULD BE AT THE INTERIOR FACE OF THE SILL, AND ANOTHER AT THE EXTERIOR FACE
- FASTEN BOTTOM CORNERS
- VERIFY BOTTOM SILL IS STRAIGHT & LEVEL
- SQUARE THE FRAME IN THE OPENING USING SHIMS AS REQUIRED
- CHECK THAT THE CLEAR OPENING IS EVEN ACROSS THE HEIGHT & WIDTH (DIAGRAM A)
- INSTALL THE OPERABLE SASH BY TILTING THE TOP & LIFTING UP UNTIL THE WHEELS CAN BE POSITIONED ON THE TRACK (MINIMUM 2-PERSON LIFT)
- IF SITE GLAZING FIXED SASHES (DIAGRAM B): PEEL THE BLUE TAPE AND SPRAY LIBERALLY WITH GLASS CLEANER TO PROVIDE ADJUSTABILITY. LIFT GLASS (2-3 PERSON LIFT) USING SUCTION CUPS AND CENTER IN THE OPENING ON TOP OF GLAZING SHIMS PROVIDED. INSERT FOAM ROD PROVIDED ALONG THE BOTTOM AND UP 6" ON EITHER SIDE OF THE GLASS, TO A 1/4" DEPTH (DIAGRAM C). CUT THE SILICONE NOZZLE TO 3/16" AT 35 DEGREES AND APPLY SILICONE OVER TOP OF THE FOAM ROD. ALSO SILICONE IN THE TOP TWO CORNERS. LIBERALLY SPRAY SILICONE WITH GLASS CLEANER, LEVEL OUT THE BEAD UNTIL IT IS FLAT, AND REMOVE EXCESS SILICONE FROM THE CHANNEL TO ENSURE THE STOP GOES IN EASILY. PEEL THE FIRST 3" OF THE TAPE THE STOPS, HAMMER INTO PLACE, AND ONCE THE STOP IS FULLY ENGAGED, REMOVE THE REST OF THE TAPE. WIDTHS SHOULD BE INSTALLED FIRST, FOLLOWED BY THE HEIGHTS.

- CHECK IF THE OPERABLE SASH IS SQUARE RELATIVE TO THE FRAME. ADJUST WHEELS AS NECESSARY, USING A LARGE PHILLIPS OR LARGE FLAT HEAD SCREWDRIVER. LIFT THE SASH SLIGHTLY PRIOR TO ADJUSTING WHEELS TO AVOID STRIPPING SCREWS
- REINSTALL HOLE PLUGS
- CHECK IF THE SASH LOCKS. ADJUST STRIKE PLATE UP OR DOWN AS NECESSARY & EXTEND OR RETRACT THE LOCKING PINS USING A FLAT HEAD SCREWDRIVER. (DIAGRAM D)
- IF THE LATCH WILL NOT TURN, THEN ADJUST STRIKE PLATE
- IF THE LATCH MOVES HALFWAY BUT DOES NOT LOCK, EXTEND THE LOCKING PINS.
- IF THE LATCH LOCKS, BUT THE SASH HAS TOO MUCH PLAY, RETRACT THE LOCKING PINS.
- APPLY LOW EXPANDING SPRAY FOAM INTO THE CAVITY BETWEEN FRAME & ROUGH OPENING. DO NOT OVERFILL
- INSTALL SCREEN, ADJUST WHEELS UNTIL THE SCREEN IS SECURE & SQUARE TO THE FRAME

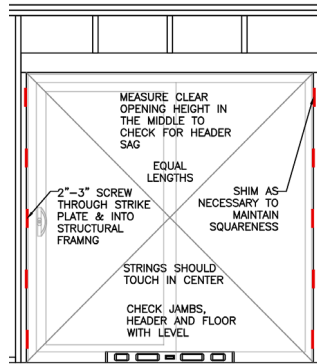


DIAGRAM A

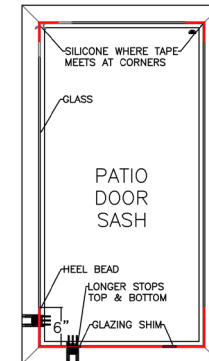
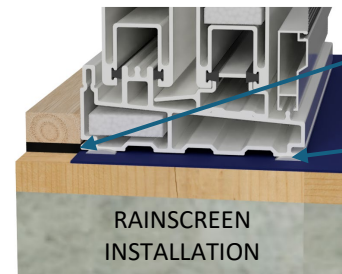


DIAGRAM B



PRIMARY BEAD OF SILICONE SET AT INTERIOR FACE OF SILL AND UP 6" AT BOTTOM JAMBS.

EXTERIOR BED OF SILICONE, FOR DRAINAGE WITH GAPS

RAINSCREEN INSTALLATION

### WARNING:

Do not use scrapers for cleaning glass. Glass scratched by a scraper is not covered under the DUXTON Windows & Doors warranty. Do not clean glass when exposed to direct sunlight. \*This guideline is to assist trained & experienced installers and is not complete. Installer is responsible for insuring the patio door is functional, and installation complies with local codes and in accordance with CSA A440.4-07

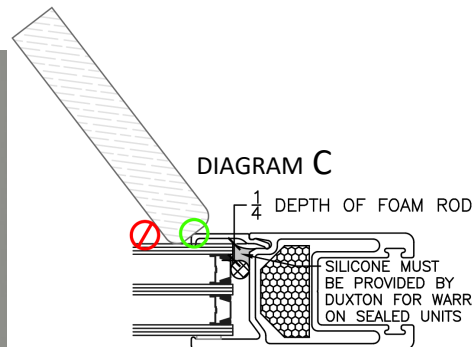


DIAGRAM D

TOP PIN GOES INTO OPENING ABOVE SPRING LOADED PIN

SPRING LOADED PIN SHOULD HIT THE SOLID METAL ABOVE THE SLOT